

# Amtico Marine Laying Patterns

## Installation Guide

### Laying Patterns

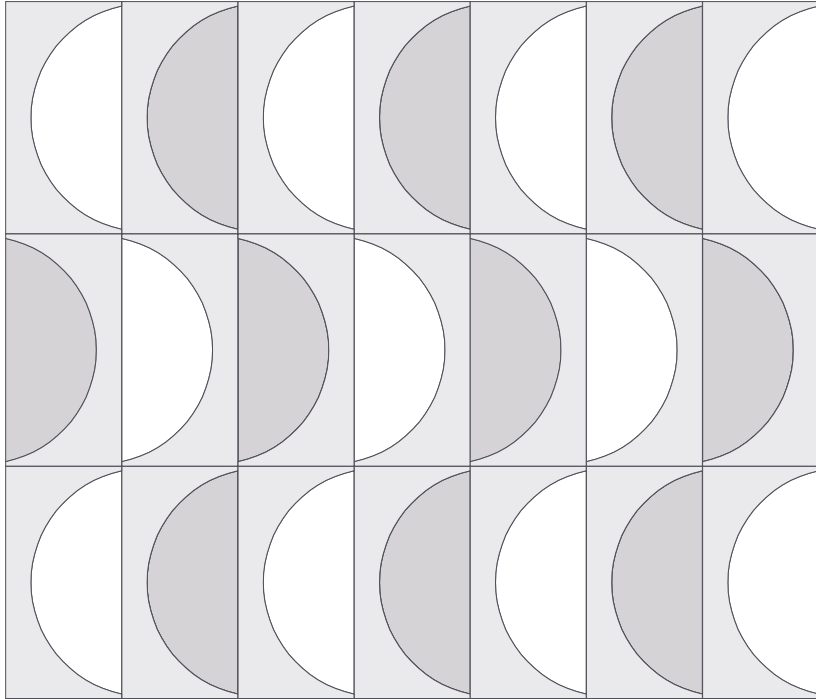
Arc	2
Basket Weave	3
Castel Weave	4
Chantilly Weave	5
Check	6
Chevron	7
Flagstone	8
Frame	11
French Weave	13
Gable Parquet	14
Gatsby Square	15
Halcyon Pleat	16
Key Stone	17
Lune	18
Small Parquet	19
Large Parquet	20
Pleat	23
Random Plank	24
Random Stone	25
Versailles Parquet	26

### Amtico Décor for Marine

Akari Lattice Small	27
Akari Lattice Large	29
Chequer	31
Corinthian	33
Echo	34
Temple Diamond	36
Venetian Parquet Wood	38
Venetian Parquet Stone	40
Victorian Star Small	42
Victorian Star Large	45

**amtico**  
marine

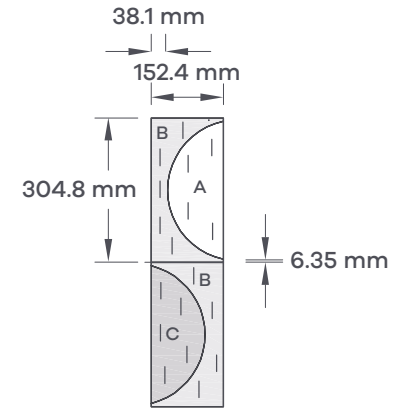




### 3 Products Small - MCP102

**1 Module =**

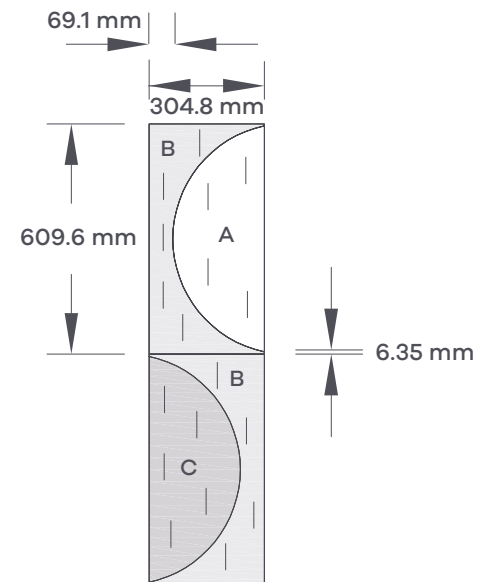
- A** 292.1 x 114.3 mm part tile (1 off)
- B** 304.8 x 152.4 mm part tile (2 off)
- C** 292.1 x 114.3 mm part tile (1 off)



### 3 Products Large - MCP101

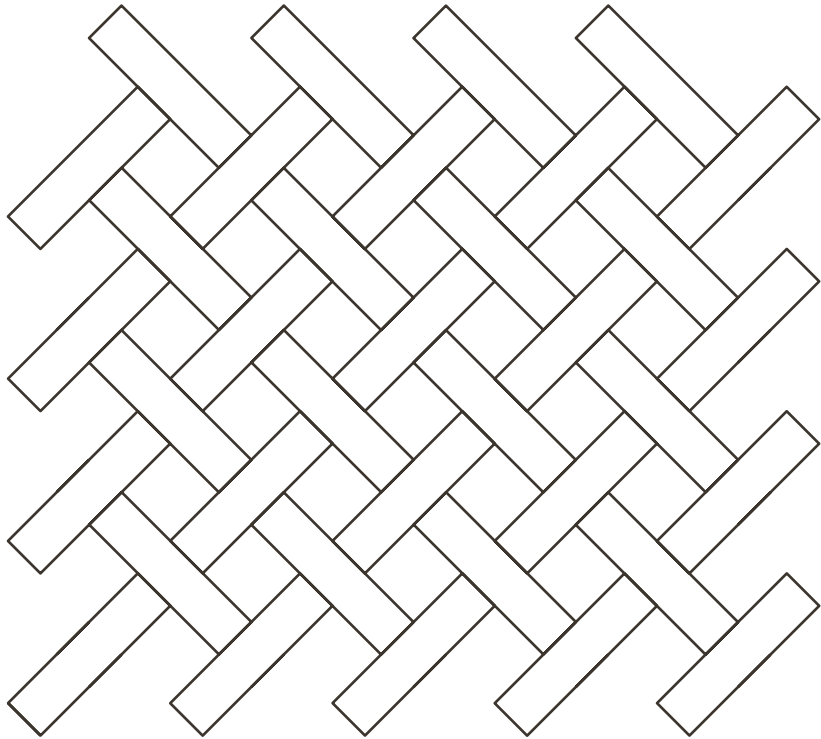
**1 Module =**

- A** 596.9 x 235.7 mm part tile (1 off)
- B** 609.6 x 304.8 mm part tile (2 off)
- C** 596.9 x 235.7 mm part tile (1 off)



# Amtico Marine Laying Patterns

## Installation Guide



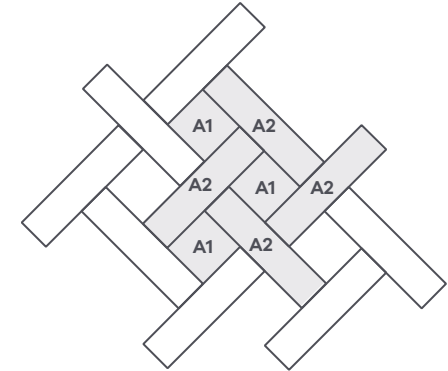
# Basket Weave

## 1 Product - MCP103

1 Module =

A1 114.3 x 114.3 mm tile

A2 76.2 x 304.8 mm plank

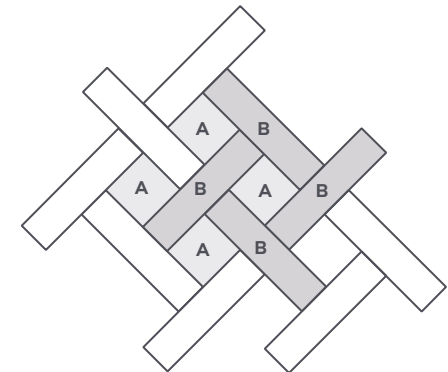


## 2 Products - MCP104

1 Module =

A 114.3 x 114.3 mm tile

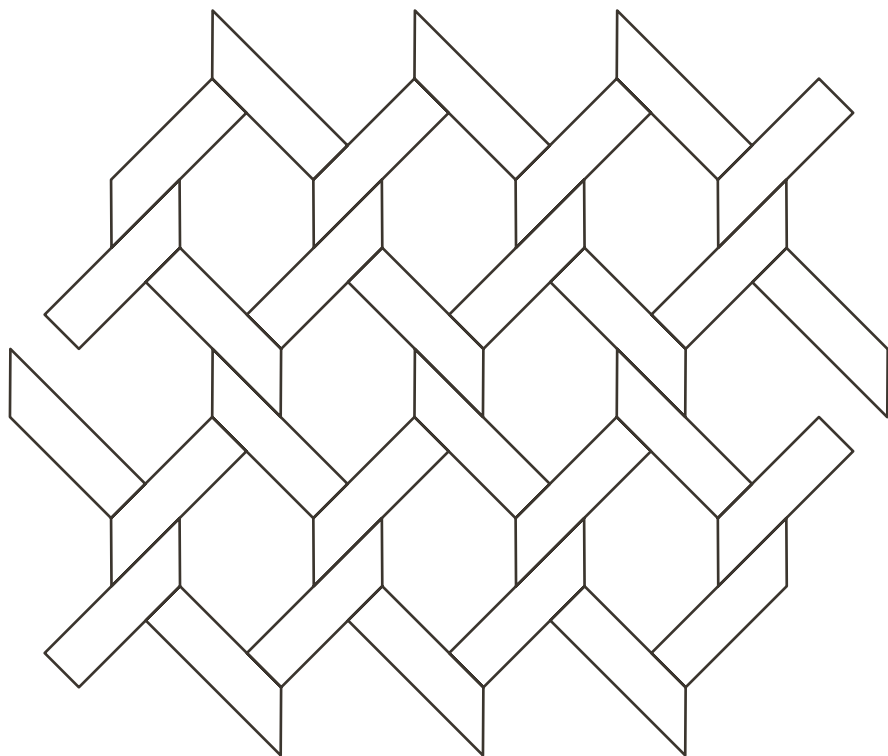
B 76.2 x 304.8 mm plank



Supplied as individual cut pieces, not taped.

# Amtico Marine Laying Patterns

## Installation Guide



### 1 Product - MCP105

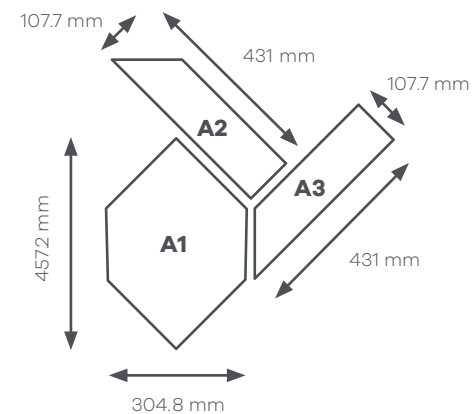
#### 1 Module =

**A1** Polygon tile (1 off)

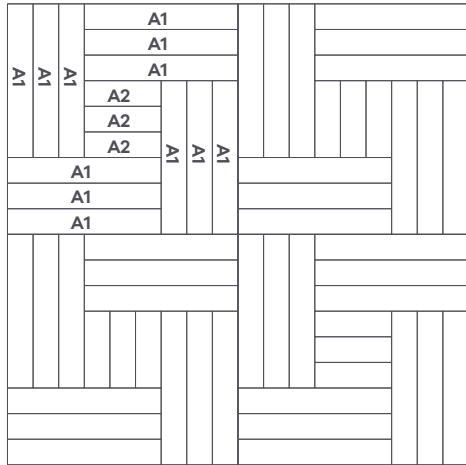
**A2** Angle cut tile (1 off)

**A3** Angle cut tile (1 off)

# Castel Weave



Supplied as individual cut pieces, not taped.

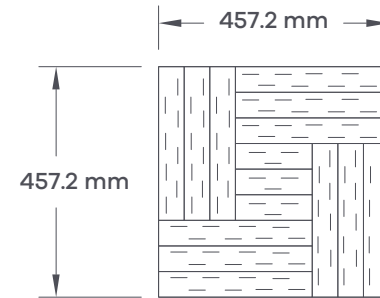


## 1 Product - MCP106

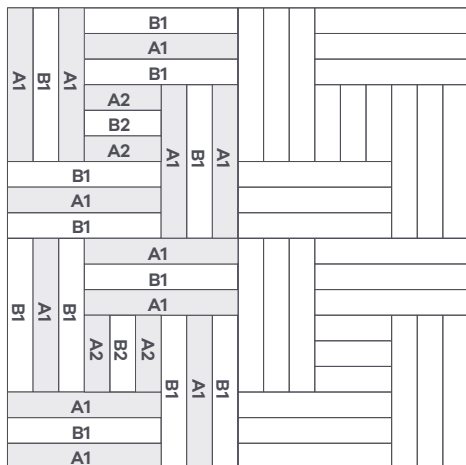
**1 Module =**

**A1** 50.8 x 304.8 mm block tile (12 off)

**A2** 50.8 x 152.4 mm block tile (3 off)



The centre element of the module alternates as the design repeats.



## 2 Products - MCP107

**1 Module =**

**A1** 50.8 x 304.8 mm block tile (6 off)

**A2** 50.8 x 152.4 mm block tile (2 off)

**B1** 50.8 x 304.8 mm block tile (6 off)

**B2** 50.8 x 152.4 mm block tile (1 off)

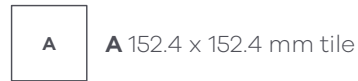


Supplied as individual cut pieces, not taped.

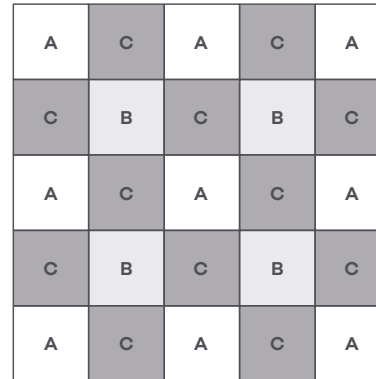


### 1 Product - MCP108

1 Module = (1 off each)

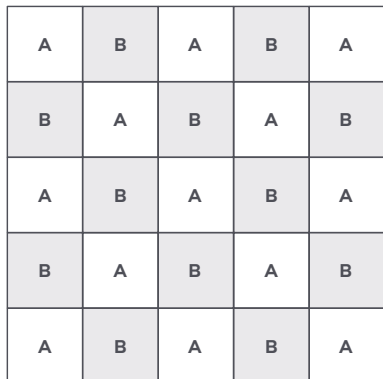


Tiles must be tessellated to achieve pattern.



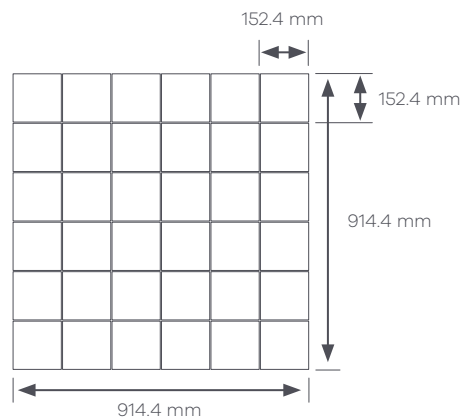
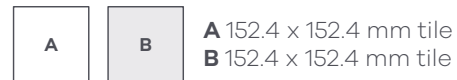
### 3 Products - MCP110

1 Module = (1 off each)



### 2 Products - MCP109

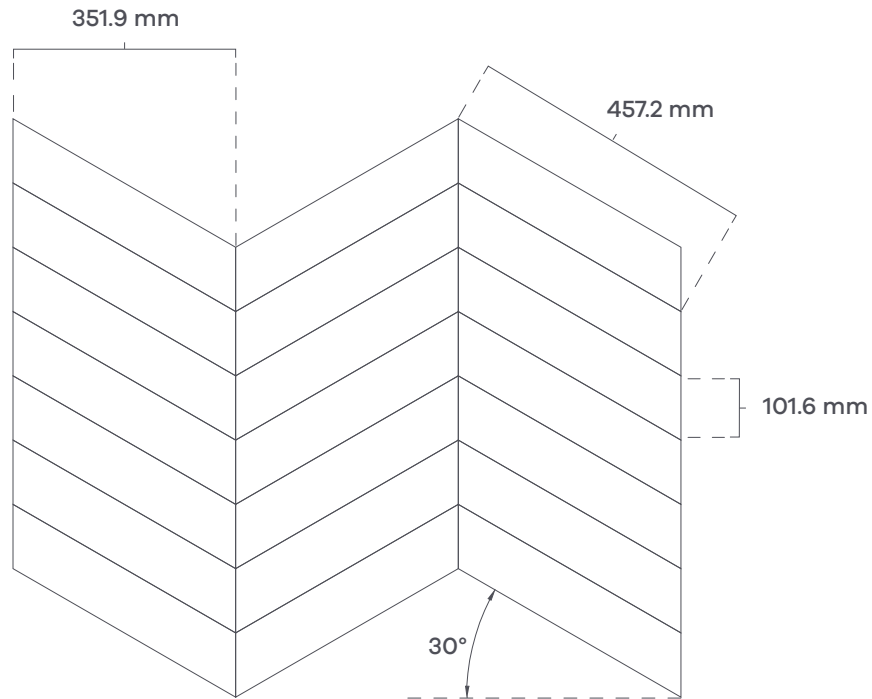
1 Module = (1 off each)



# Amtico Marine Laying Patterns

## Installation Guide

# Chevron

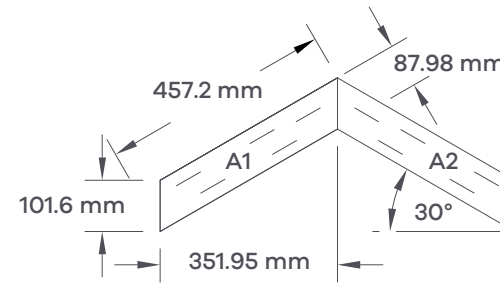


### 1 Product - MCP111

**A1** 87.98 x 457.2 mm A1 block tile (1 off)



**A2** 87.98 x 457.2 mm A2 block tile (1 off)



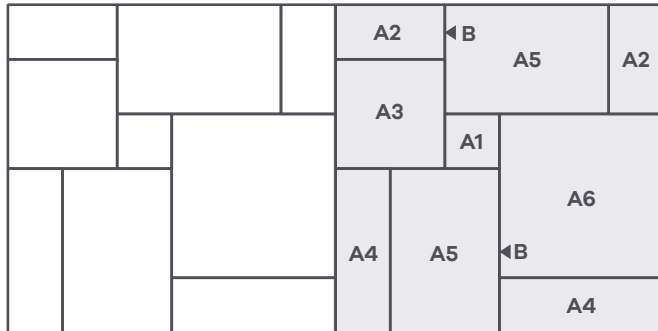
Supplied as individual cut pieces, not taped.

**amtico**  
flooring

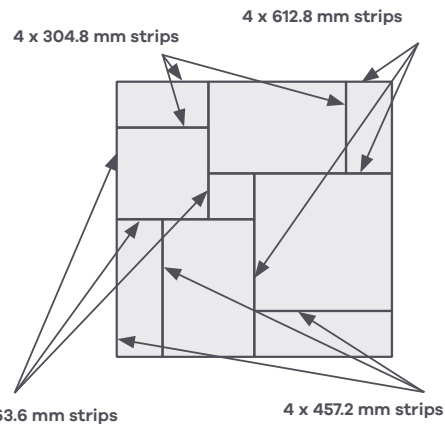
# Amtico Marine Laying Patterns

## Installation Guide

# Flagstone



**1 Module stripping =**  
(1 off each)



### 1 Product Large with stripping - MCP113

**1 Module =**  
(1 off each)

**A1** 152.4 x 152.4 mm tile straight grain



**A2** 152.4 x 304.8 mm tile cross grain



**A2** 152.4 x 304.8 mm tile straight grain



**A3** 304.8 x 304.8 mm tile straight grain



**A4** 152.4 x 457.2 mm tile cross grain



**A4** 152.4 x 457.2 mm tile straight grain



**A5** 304.8 x 457.2 mm tile cross grain



**A5** 304.8 x 457.2 mm tile straight grain

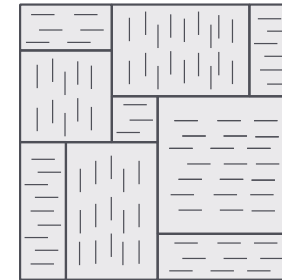


**A6** 457.2 x 457.2 mm tile cross grain

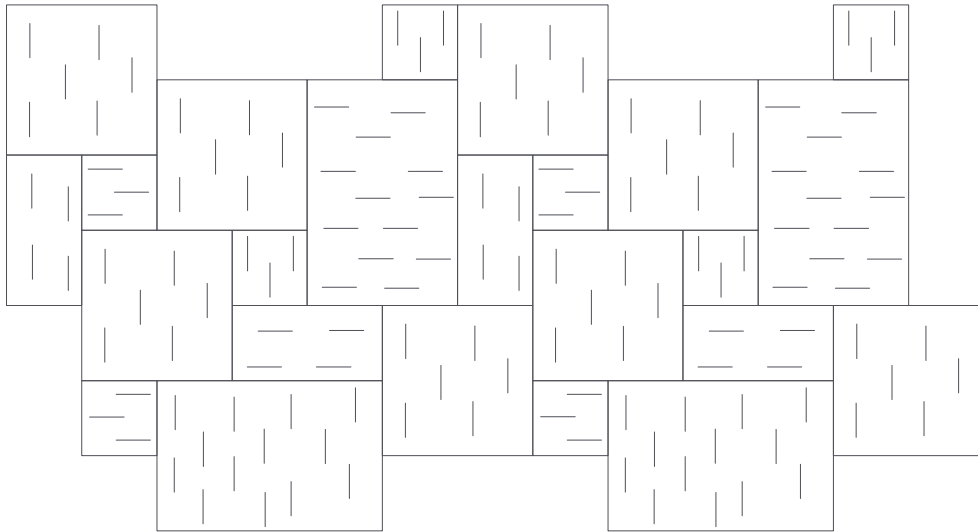


**B** 4 mm stripping

**1 Module (For directional product only)**  
= (1 off each)



Supplied as individual cut pieces, not taped.



## 1 Product Extra Large with stripping - MCP112

### 1 Module =

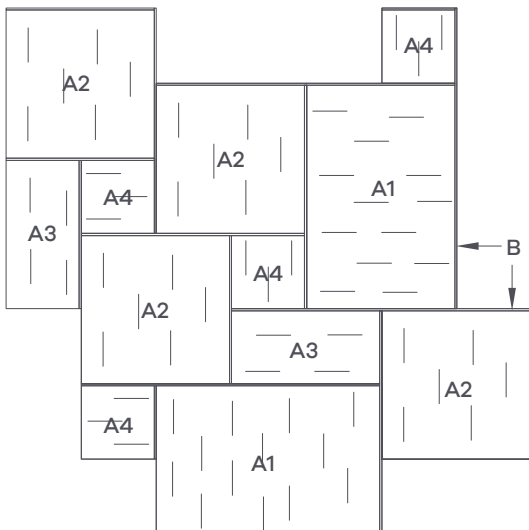
**A1** 450.85 x 679.45 mm block tile (2 off)

**A2** 450.85 x 450.85 mm block tile (4 off)

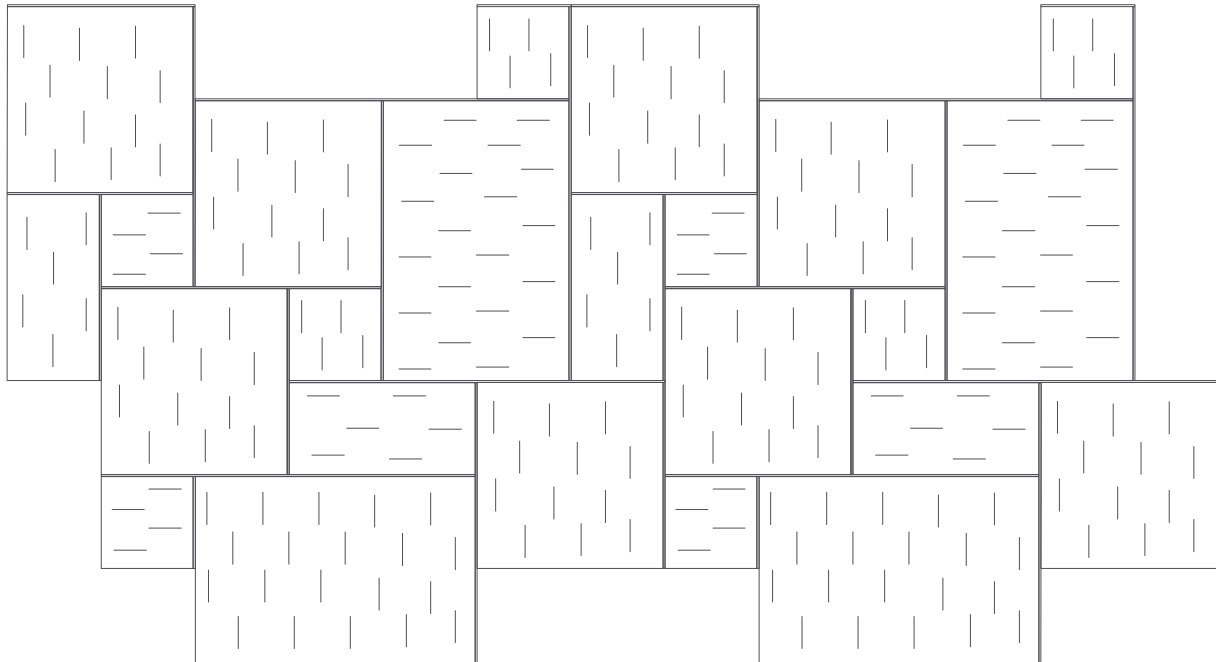
**A3** 222.25 x 450.85 mm block tile (2 off)

**A4** 222.25 x 222.25 mm block tile (4 off)

**B** 6.4 mm stripping



Supplied as individual cut pieces, not taped.



## 1 Product Grand with stripping - MCP121

**1 Module =**

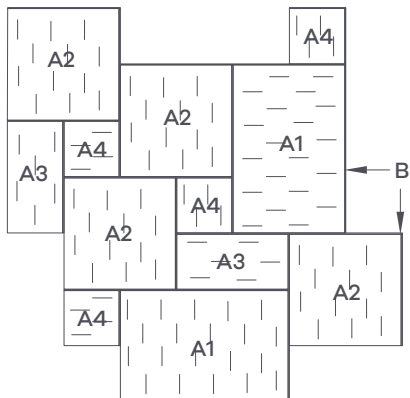
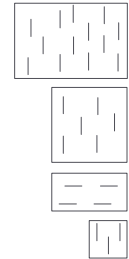
**A1** 603.25 x 908.05 mm block tile (2 off)

**A2** 603.25 x 603.25 mm block tile (4 off)

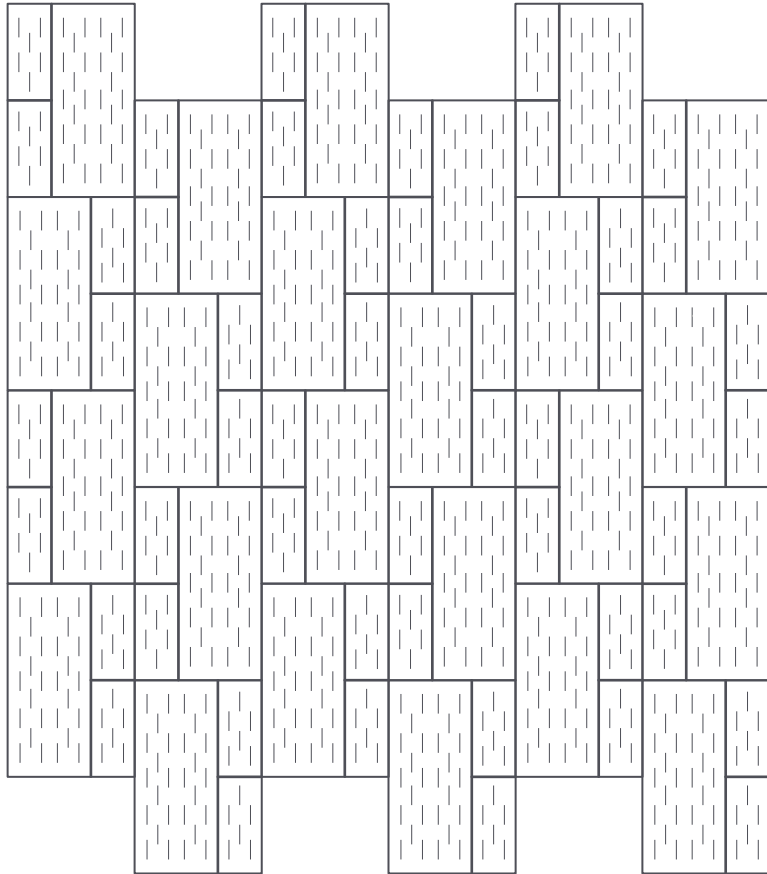
**A3** 298.45 x 603.25 mm block tile (2 off)

**A4** 298.45 x 298.45 mm block tile (4 off)

**B** 6.4 mm stripping



Supplied as individual cut pieces, not taped.



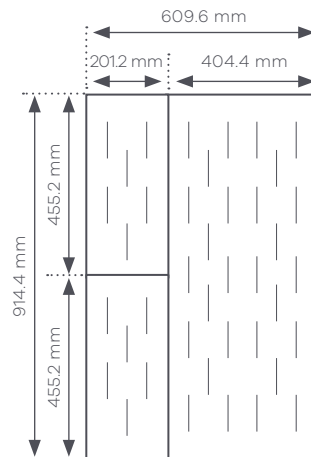
### 1 Product with stripping - MCP114

#### Product A

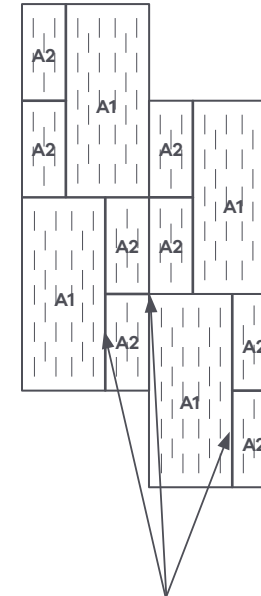


#### Product B (stripping)

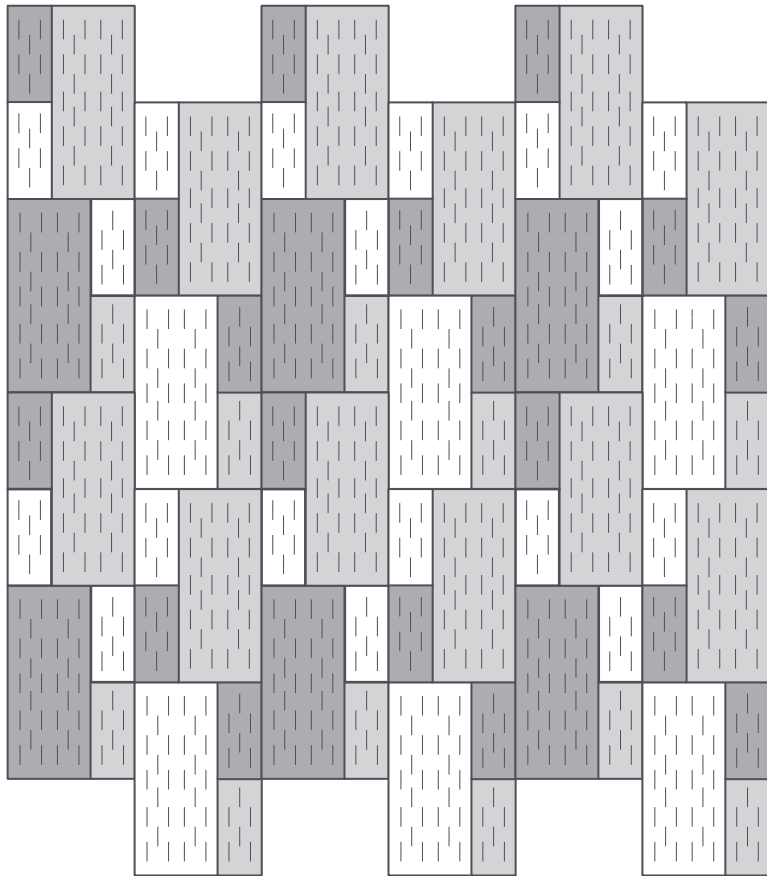
1 carton of 4 x 914.4 mm stripping is required for every 6.8 m<sup>2</sup> of the design.



### Module layout



4 mm stripping inbetween each tile (supplied in full length strips to allow on site cutting).



### 3 Products with stripping - MCP115

Product A



Product B

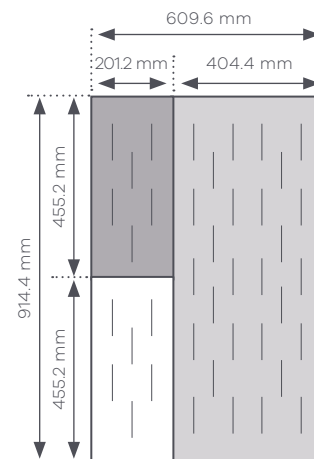


Product C

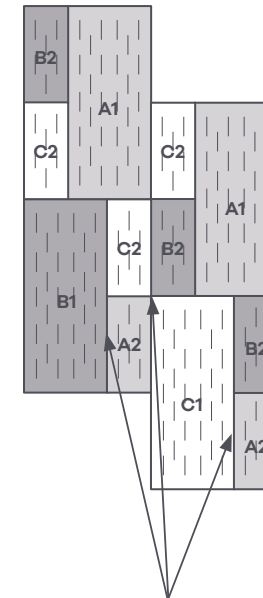


### Product D (stripping)

1 carton of 4 x 914.4 mm stripping is required for every 6.8 m<sup>2</sup> of the design.



### Module layout

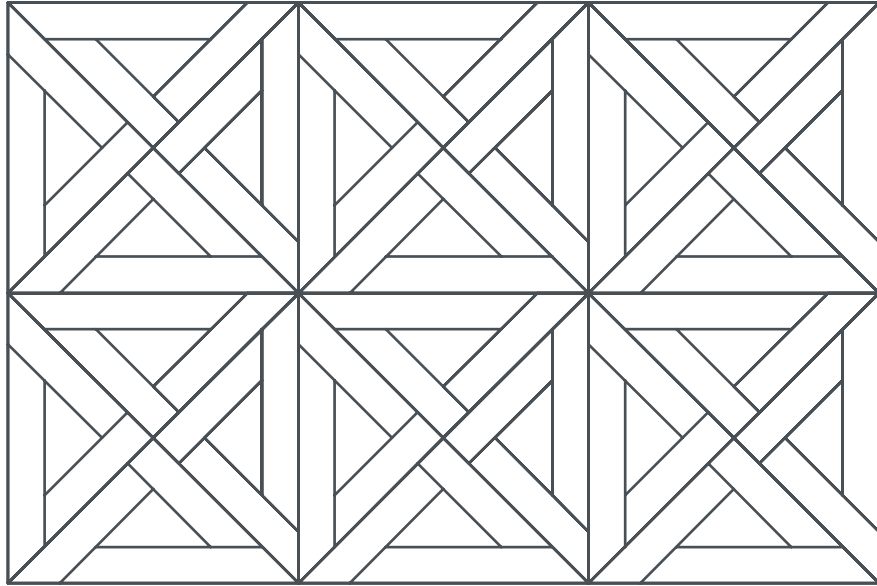


4 mm stripping inbetween each tile (supplied in full length strips to allow on site cutting).

Supplied as individual cut pieces, not taped.

# Amtico Marine Laying Patterns

## Installation Guide

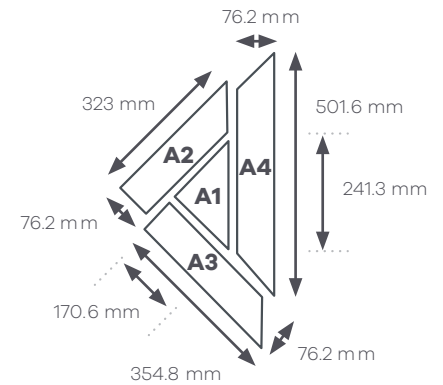
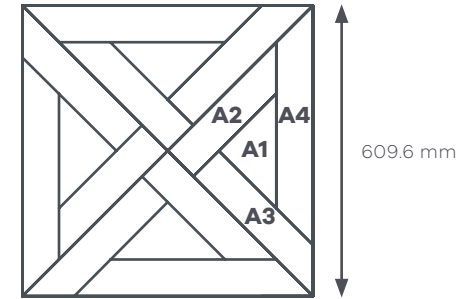


### 1 Product - MCP116

#### 1 Module =

- A1** Half tile (4 off)
- A2** Mitred part (4 off)
- A3** Mitred part (4 off)
- A4** Double mitred (4 off)

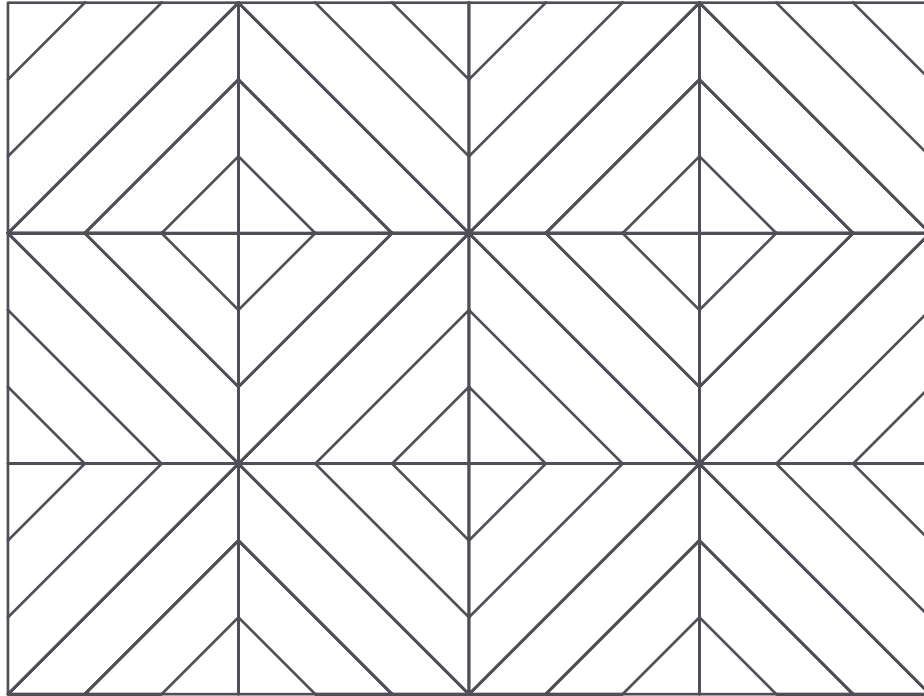
# French Weave



Modules are factory assembled and surface taped.

# Amtico Marine Laying Patterns

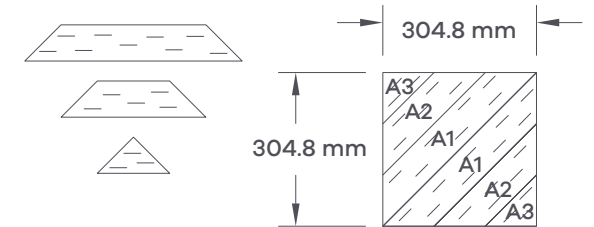
## Installation Guide



### 1 Product Small - MCP118

**1 Module =**

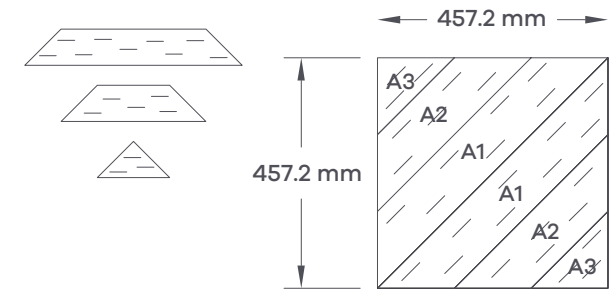
- A1** 71.84 x 431.05 mm block tile (2 off)
- A2** 71.84 x 287.36 mm block tile (2 off)
- A3** 71.84 x 143.68 mm triangle tile (2 off)



### 1 Product Large - MCP117

**1 Module =**

- A1** 107.76 x 646.57 mm block tile (2 off)
- A2** 107.76 x 431.05 mm block tile (2 off)
- A3** 107.76 x 215.52 mm triangle tile (2 off)



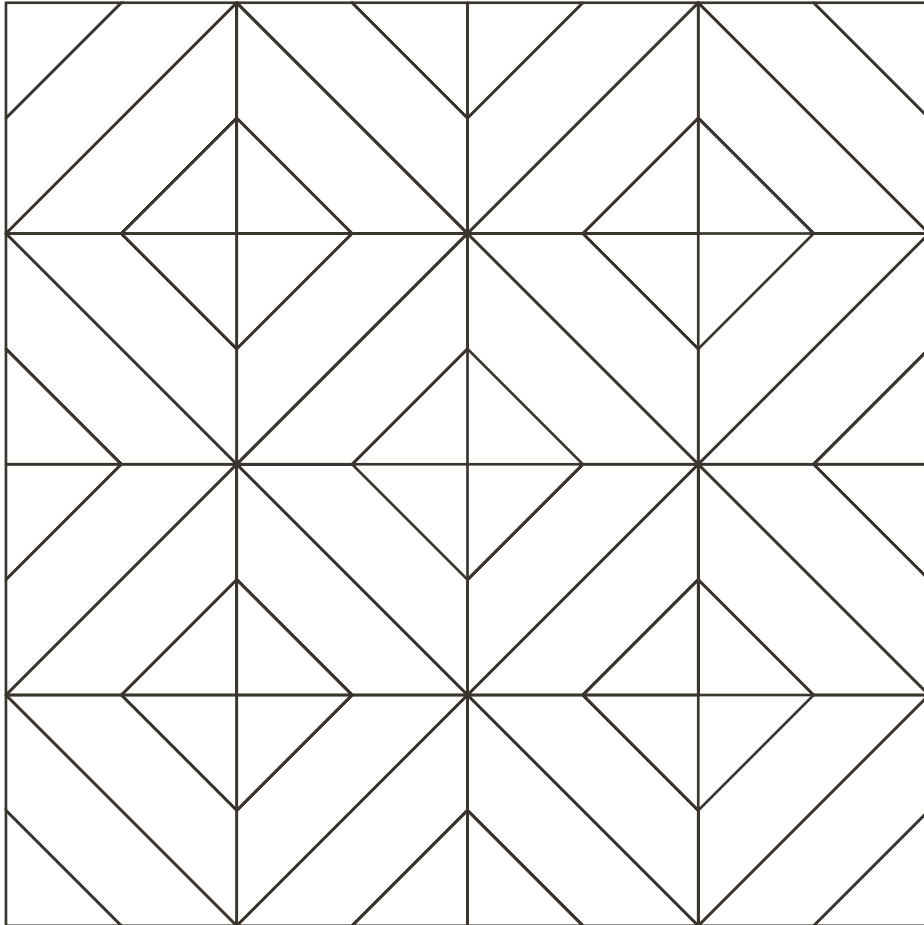
Modules are factory assembled and surface taped.  
 Modules will need to be tessellated to create design.

# Gable Parquet

# Amtico Marine Laying Patterns

## Installation Guide

# Gatsby Square



### 2 Products Small - MCP120

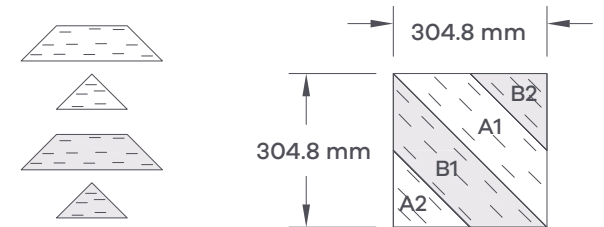
**1 Module =**

**A1** 107.76 x 431.05 mm block tile (1 off)

**A2** 107.76 x 215.52 mm block tile (1 off)

**B1** 107.76 x 431.05 mm block tile (1 off)

**B2** 107.76 x 215.52 mm block tile (1 off)



### 2 Products Large - MCP119

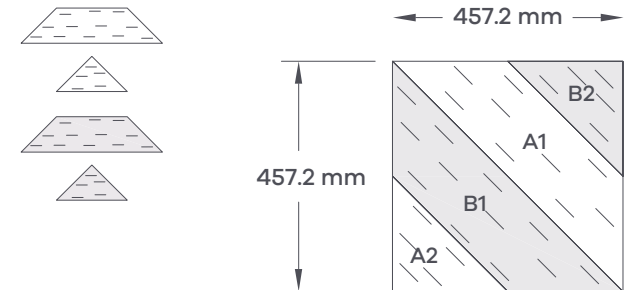
**1 Module =**

**A1** 161.64 x 646.57 mm block tile (1 off)

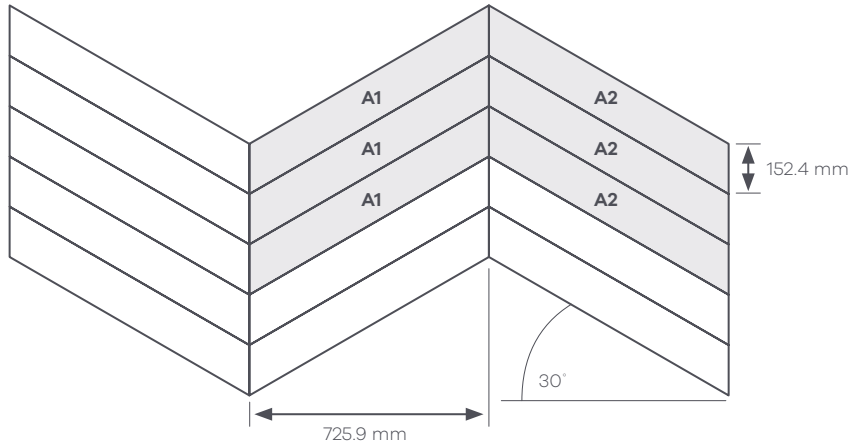
**A2** 161.64 x 323.28 mm block tile (1 off)

**B1** 161.64 x 646.57 mm block tile (1 off)

**B2** 161.64 x 323.28 mm block tile (1 off)



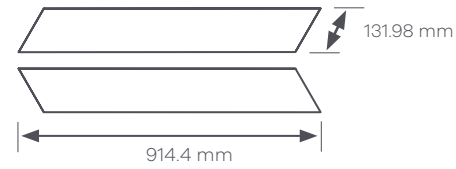
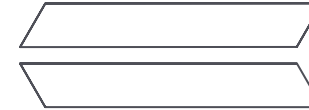
Modules are factory assembled and surface taped.  
Modules will need to be tessellated to create design.



## 1 Product - MCP122

**A1** 131.98 x 914.4mm tile (1 off)

**A2** 131.98 x 914.4mm tile (1 off)



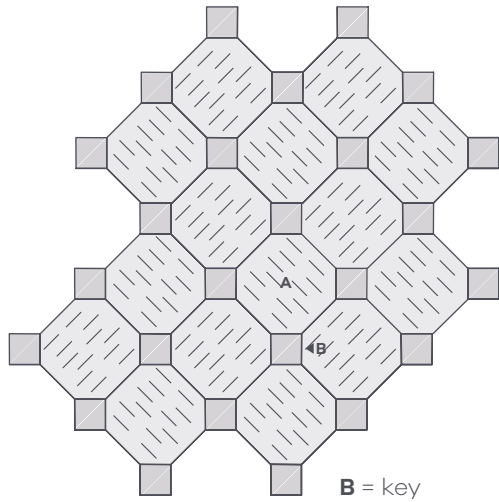
Supplied as individual cut pieces, not taped.

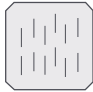

# Amtico Marine Laying Patterns

## Installation Guide

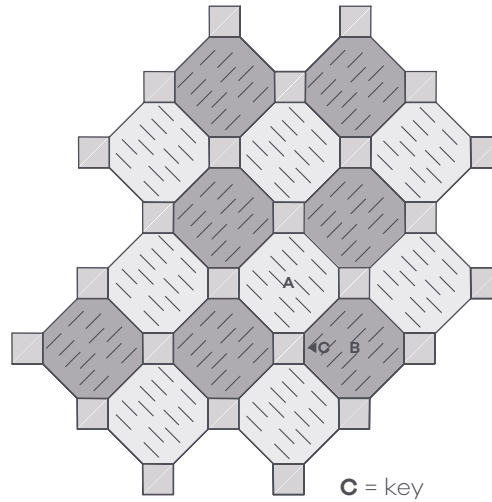
# Key Stone

### 2 Products Mini - MCP132



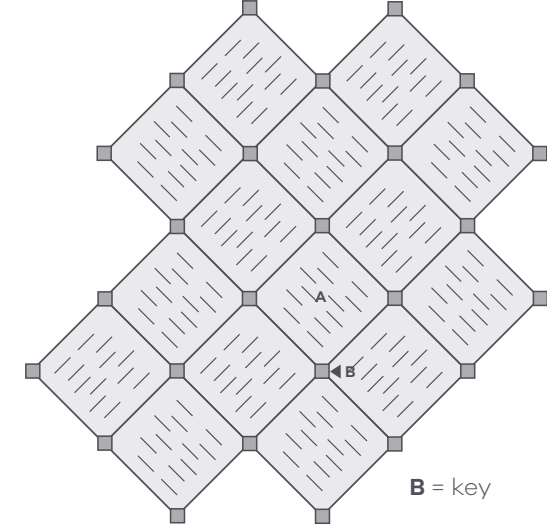
- 1 Module =**  
**A** 152.4 x 152.4 mm 4 clip corner tile (1 off)   
**B** 50.8 x 50.8 mm key square tile (1 off) 



### 3 Products Mini - MCP133



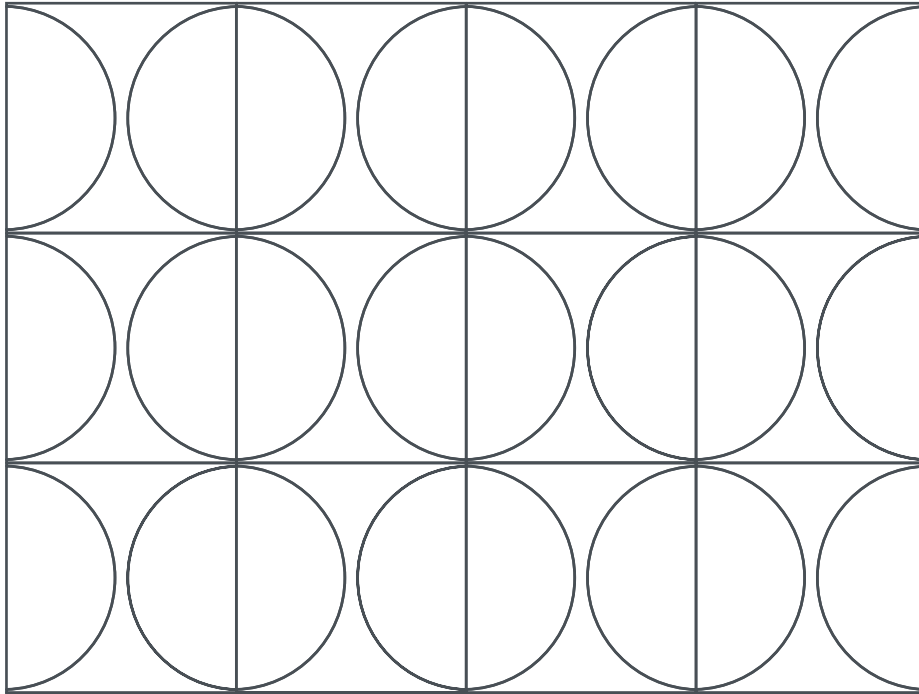
- 1 Module =**  
**A** 152.4 x 152.4 mm 4 clip corner tile (1 off)   
**B** 152.4 x 152.4 mm 4 clip corner tile (1 off)   
**C** 50.8 x 50.8 mm key square tile (1 off) 

### 2 Products Small - MCP134



- 1 Module =**  
**A** 304.8 x 304.8 mm 4 clip corner tile (1 off)   
**B** 63.5 x 63.5 mm key square tile (1 off) 

Supplied as individual cut pieces, not taped.



**2 Products Small - MCP136**

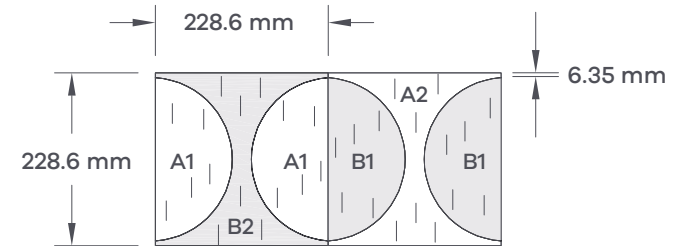
**1 Module =**

**A1** 215.9 x 107.95 mm part tile (2 off)

**B1** 215.9 x 107.95 mm part tile (2 off)

**A2** 228.6 x 228.6 mm part tile (1 off)

**B2** 228.6 x 228.6 mm part tile (1 off)



**2 Products Large - MCP135**

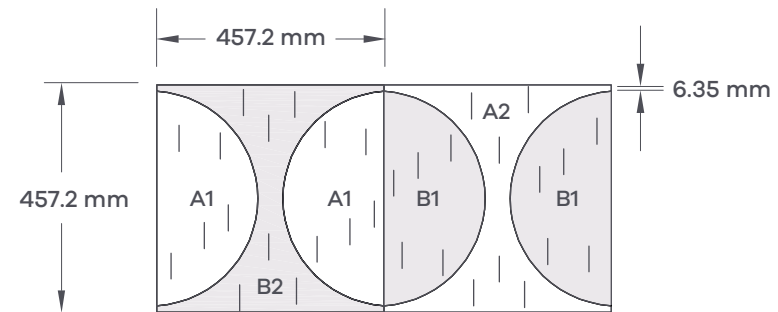
**1 Module =**

**A1** 444.5 x 215.9 mm part tile (2 off)

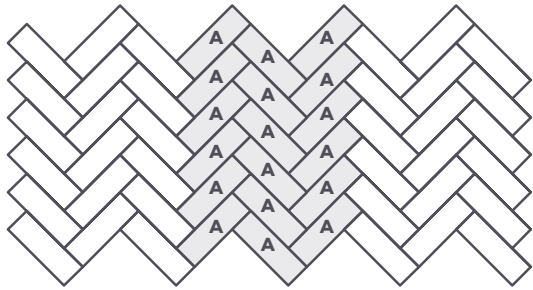
**B1** 444.5 x 215.9 mm part tile (2 off)

**A2** 457.2 x 457.2 mm part tile (1 off)

**B2** 457.2 x 457.2 mm part tile (1 off)

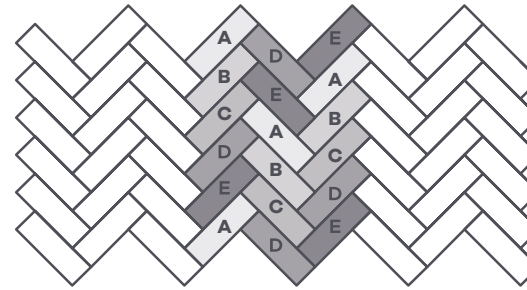


Supplied as individual cut pieces, not taped.



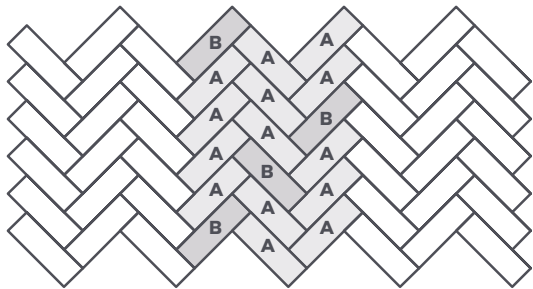
**1 Product Small - MCP143**

**1 Module =**  
A 76.2 x 228.6 mm



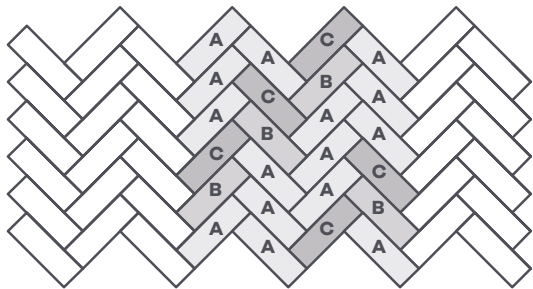
**5 Products Small - MCP146**

**1 Module =**  
A, B, C, D, E 76.2 x 228.6 mm



**2 Products Small - MCP144**

**1 Module =**  
A 76.2 x 228.6 mm (4 off)  
B 76.2 x 228.6 mm (1 off)

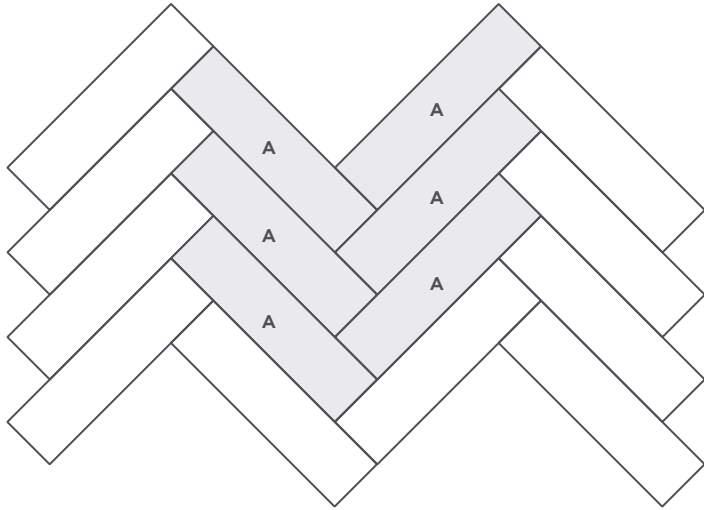


**3 Products Small - MCP145**

**1 Module =**  
A 76.2 x 228.6 mm (3 off)  
B, C 76.2 x 228.6 mm (1 off)

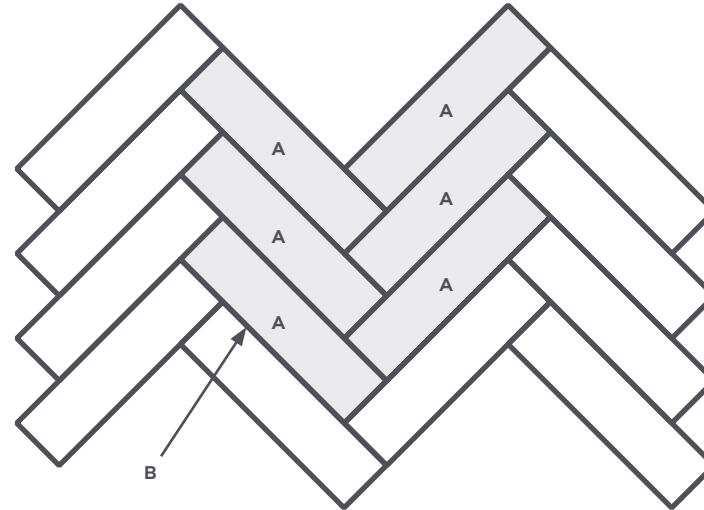
Supplied as individual cut pieces, not taped.

## 1 Product Large - MCP137



**1 Module =**  
**A** 114.3 x 457.2 mm (1 off)

## 1 Product Large with stripping - MCP138



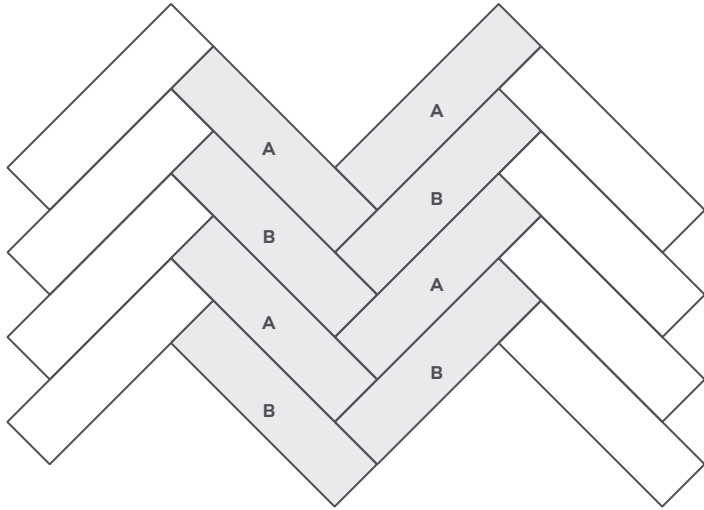
**1 Module with stripping =**  
**A** 114.3 x 457.2 mm (1 off)

**B** 1 carton of 4 x 914.4 mm stripping is required for every 3 m<sup>2</sup> of the design.



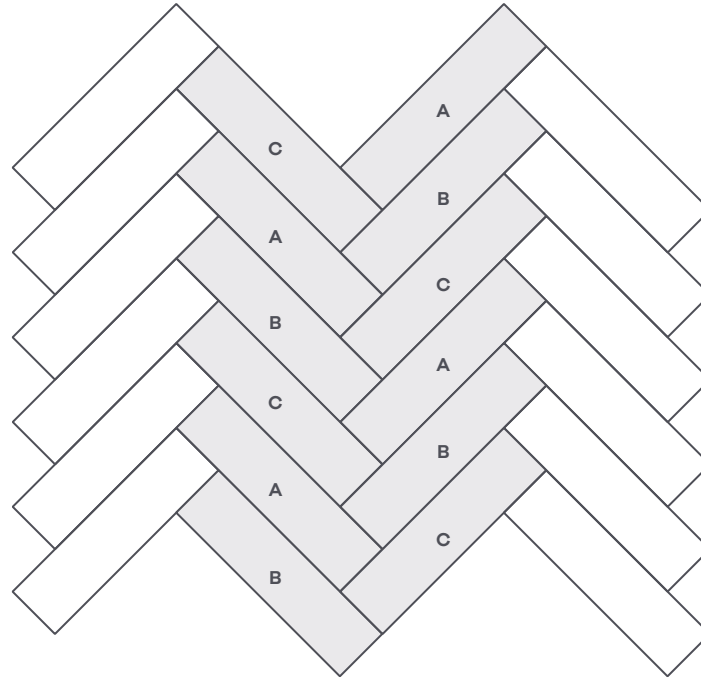
Supplied as individual cut pieces, not taped.

## 2 Products Large - MCP139



**1 Module =**  
**A, B** 114.3 x 457.2 mm (1 off)

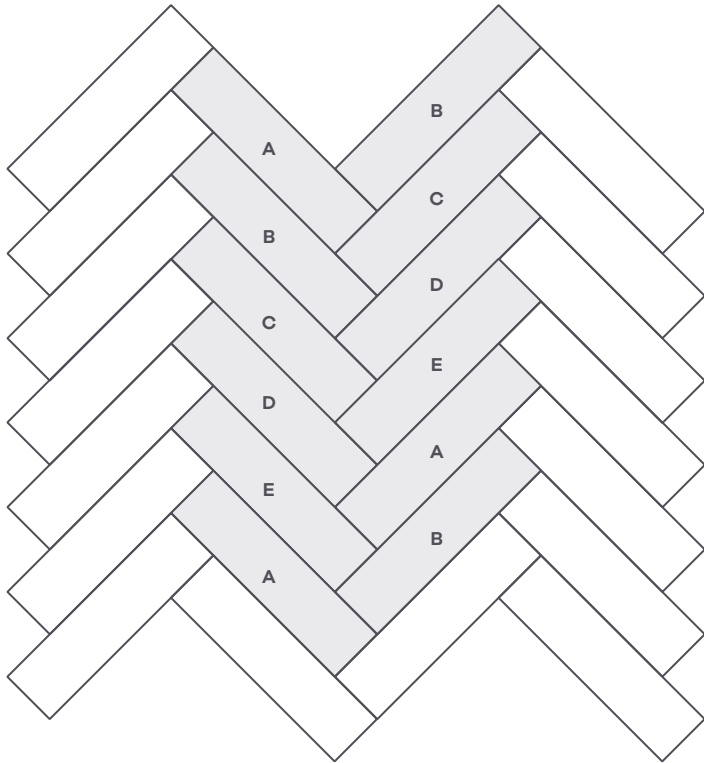
## 3 Products Large - MCP140



**1 Module =**  
**A, B, C** 114.3 x 457.2 mm (1 off)

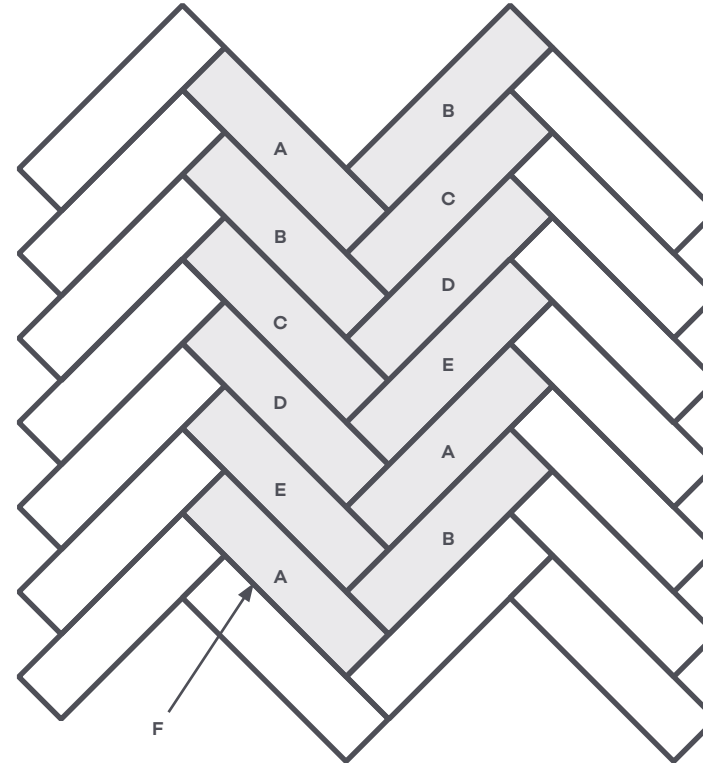
Supplied as individual cut pieces, not taped.

**5 Products Large - MCP141**



**1 Module =**  
**A, B, C, D, E** 114.3 x 457.2 mm (1 off)

**5 Products Large with stripping - MCP142**



**1 Module with stripping =**  
**A, B, C, D, E** 114.3 x 457.2 mm (1 off)

**F** 1 carton of 4 x 914.4 mm stripping is required for every 3 m<sup>2</sup> of the design.

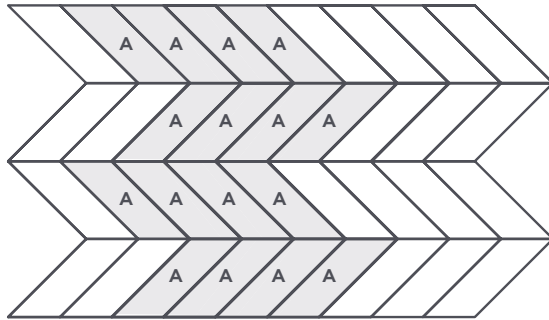


Supplied as individual cut pieces, not taped.

# Amtico Marine Laying Patterns

## Installation Guide

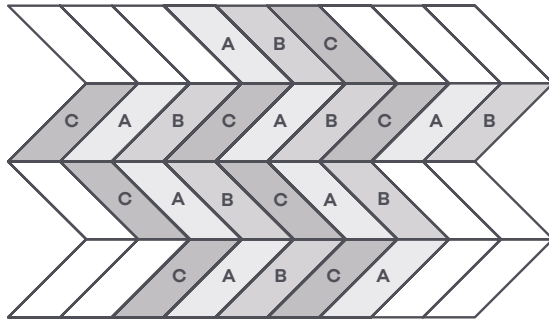
# Pleat



### 1 Product - MCP147

1 Module =

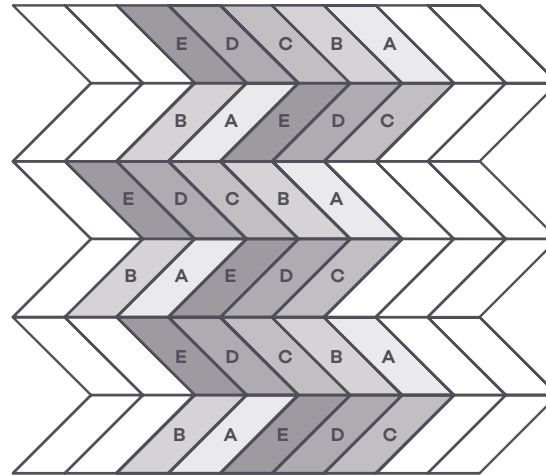
A 114.3 x 457.2 mm (13 off each 1 m<sup>2</sup> box)  
Equal amounts of each left/right



### 3 Products - MCP148

1 Module =

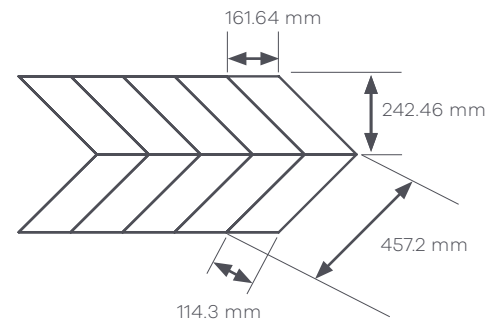
A, B, C 114.3 x 457.2 mm right (1 off)  
A, B, C 114.3 x 457.2 mm left (1 off)



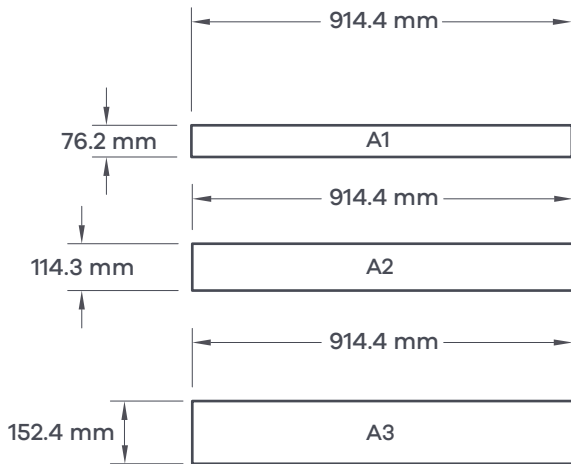
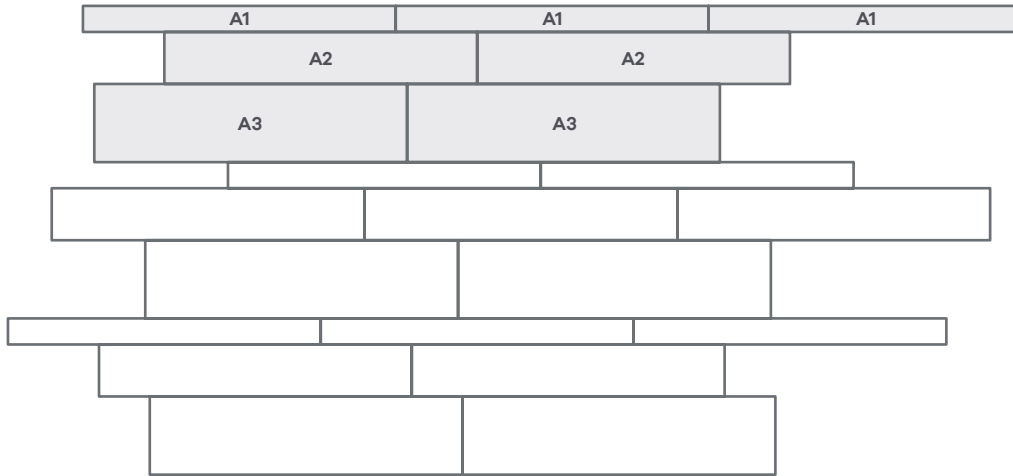
### 5 Products - MCP149

1 Module =

A, B, C, D, E 114.3 x 457.2 mm right (1 off)  
A, B, C, D, E 114.3 x 457.2 mm left (1 off)

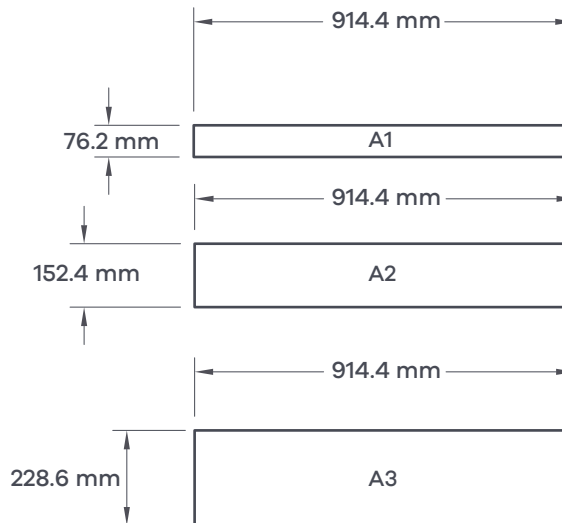


Supplied as individual cut pieces, not taped.



**1 Product Small - MCP151**

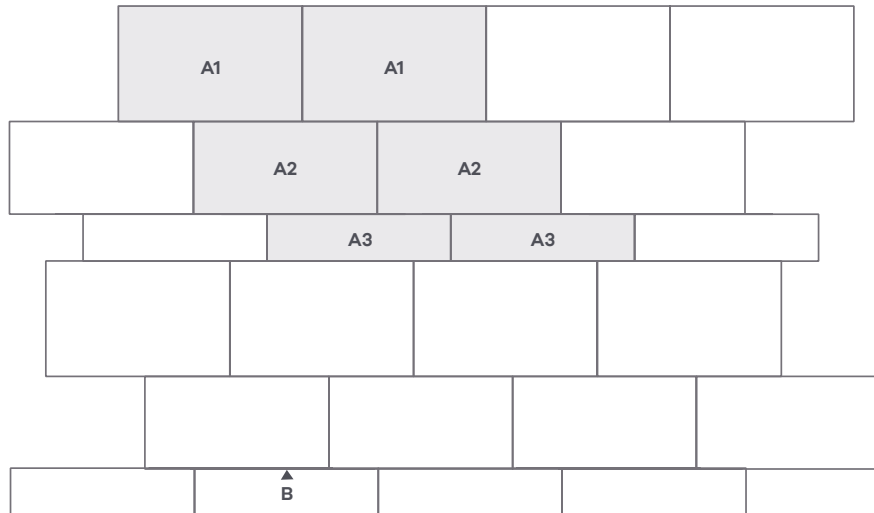
- 1 Module =**  
**A1** 76.2 x 914.4 mm plank tile (1 off)  
**A2** 114.3 x 914.4 mm plank tile (1 off)  
**A3** 152.4 x 914.4 mm plank tile (1 off)



**1 Product Large - MCP150**

- 1 Module =**  
**A1** 76.2 x 914.4 mm plank tile (1 off)  
**A2** 152.4 x 914.4 mm plank tile (1 off)  
**A3** 228.6 x 914.4 mm plank tile (1 off)

Supplied as individual cut pieces, not taped.



### 1 Product with stripping - MCP152

#### 1 Module =

**A1** 304.8 x 457.2 mm tile (1 off)

**A2** 228.6 x 457.2 mm tile (1 off)

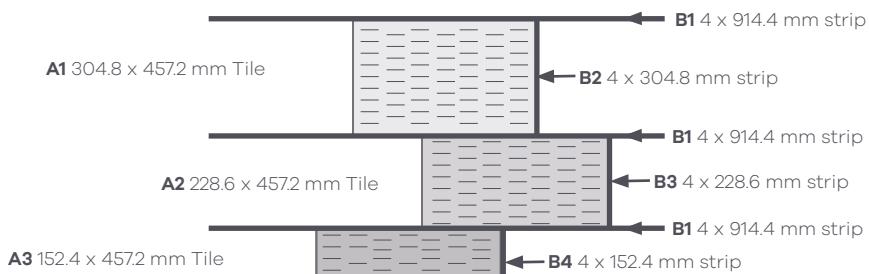
**A3** 152.4 x 457.2 mm tile (1 off)

**B1** 4 x 914.4 mm strip (1.5 off)

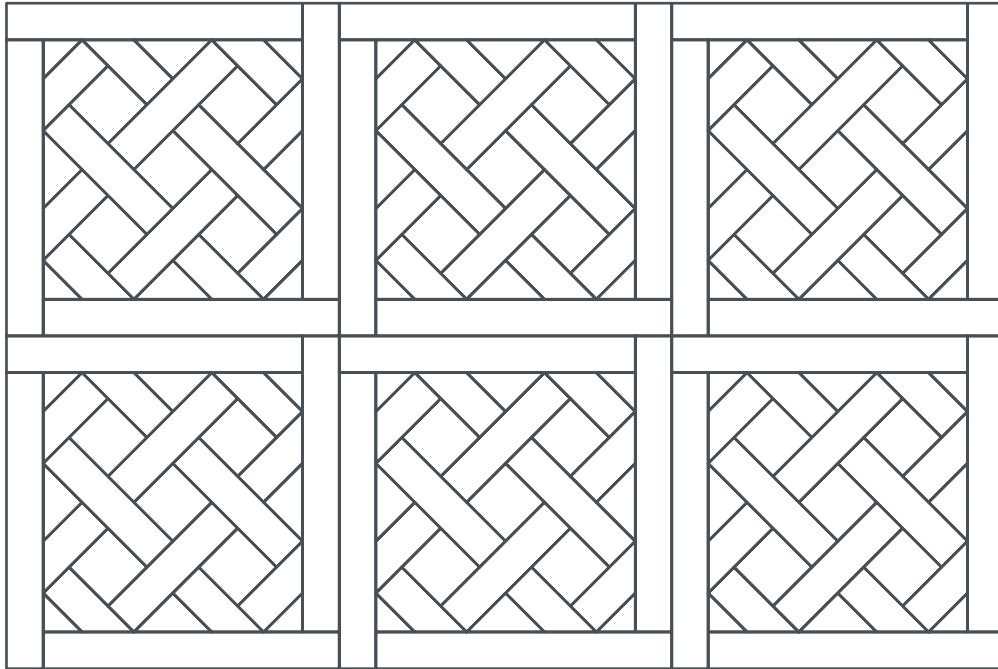
**B2** 4 x 304.8 mm strip (1 off)

**B3** 4 x 228.6 mm strip (1 off)

**B4** 4 x 152.4 mm strip (1 off)



Supplied as individual cut pieces, not taped.



## 1 Product - MCP153

### 1 Module =

**A1** 614.93 x 76.2 mm plank (4 off)



**A2** 114.3 x 114.3 mm tile (5 off)



**A3** 114.3 mm triangle tile (2 off)



**A4** 114.3 mm triangle tile (2 off)



**A5** 80.77 mm triangle tile (2 off)



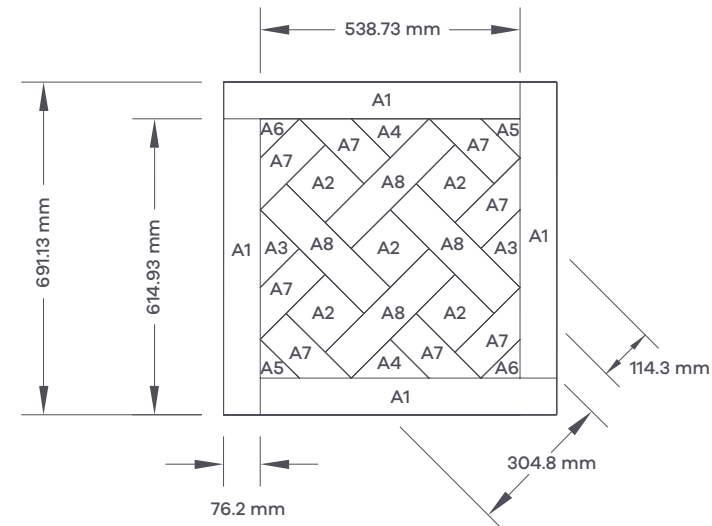
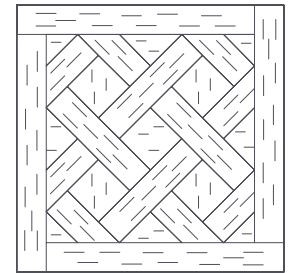
**A6** 80.77 mm triangle tile (2 off)



**A7** 76.2 x 190.5 mm mitred tile (8 off)



**A8** 76.2 x 304.8 mm tile (4 off)



Supplied as individual cut pieces, not taped.



## Akari Lattice Small Port - MP041

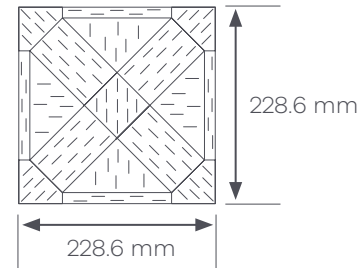
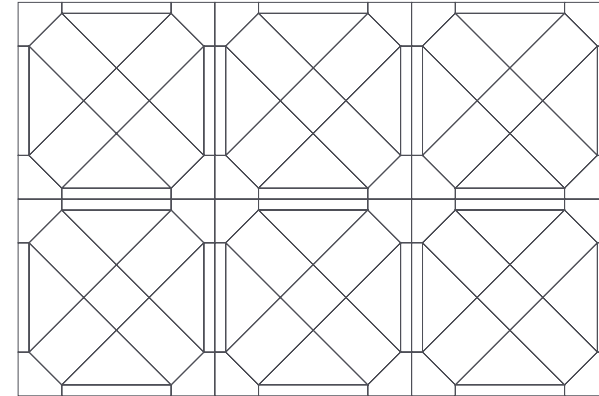
**1 Module =**  
**A** Trevellas Oak AM5W8890

All 2 mm gauge bevelled.

### Module



The Akari Lattice Small layout is supplied as a 228.6 x 228.6 mm assembled module.



Modules are factory assembled and surface taped.  
Modules NOT tessellated to ensure grain of centre keys all lay in one direction.



## Akari Lattice Small Starboard - MP042

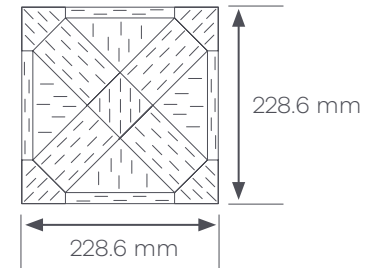
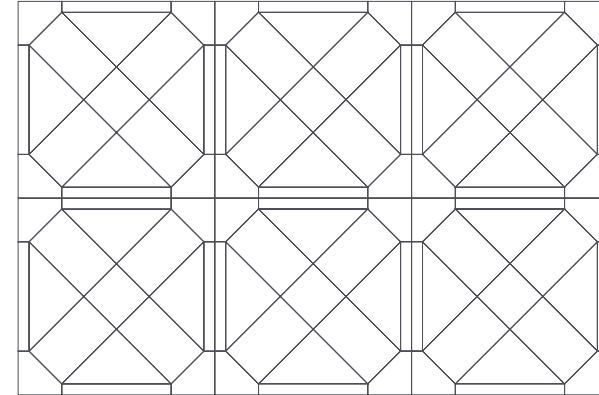
**1 Module =**  
**A Falun Oak AM5W6060**

All 2 mm gauge bevelled.

### Module



The Akari Lattice Small layout is supplied as a 228.6 x 228.6 mm assembled module.



Modules are factory assembled and surface taped.  
Modules NOT tessellated to ensure grain of centre keys all lay in one direction.

# Akari Lattice Large



## Akari Lattice Large Bow - MP043

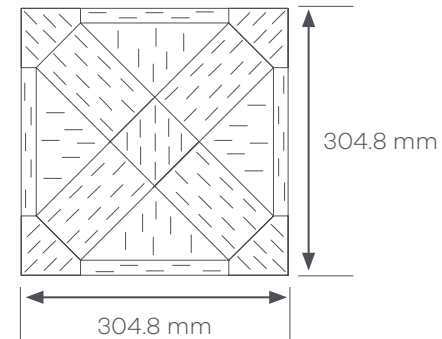
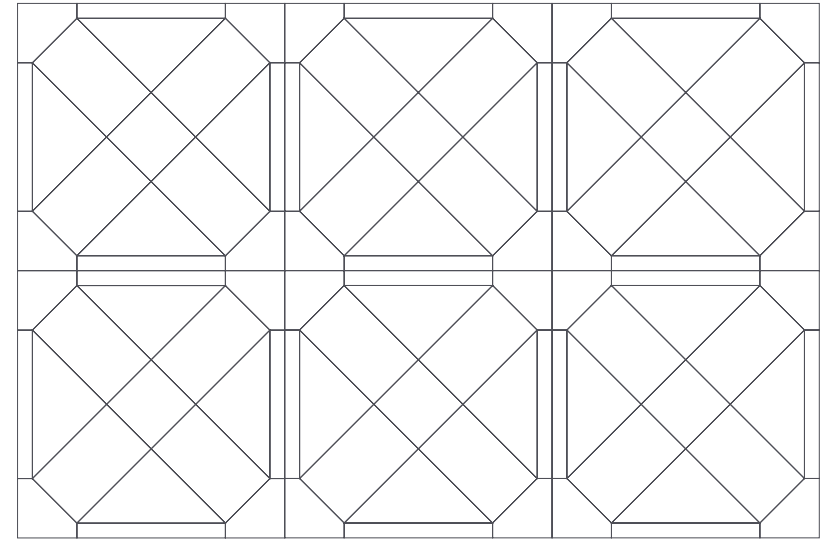
**1 Module =**  
**A** Tollymore Oak AM5W8760

All 2 mm gauge bevelled.

### Module



The Akari Lattice Large layout is supplied as a 304.8 x 304.8 mm assembled module.



Modules are factory assembled and surface taped.  
Modules NOT tessellated to ensure grain of centre keys all lay in one direction.

# Akari Lattice Large



## Akari Lattice Large Anchor - MP044

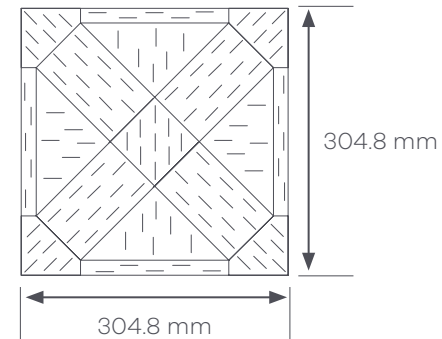
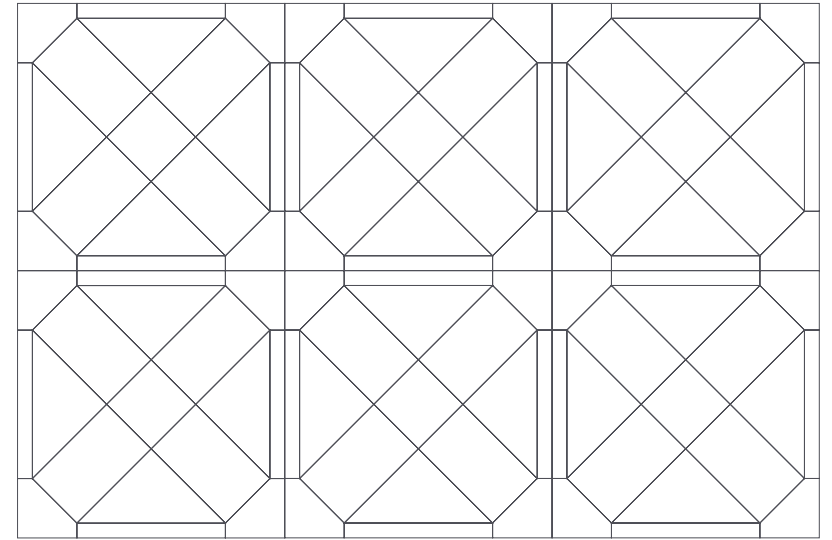
**1 Module =**  
A Furrowed Oak AM5W6070

All 2 mm gauge bevelled.

### Module



The Akari Lattice Large layout is supplied as a 304.8 x 304.8 mm assembled module.



Modules are factory assembled and surface taped.  
Modules NOT tessellated to ensure grain of centre keys all lay in one direction.



## Chequer Lagoon - MP045

**1 Module =**

**A** Fontana Marble White AM5S4574

**B** Fontana Marble Blue AM5S4575

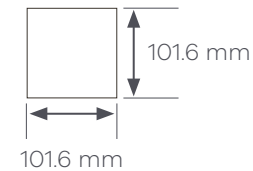
**Tile A**



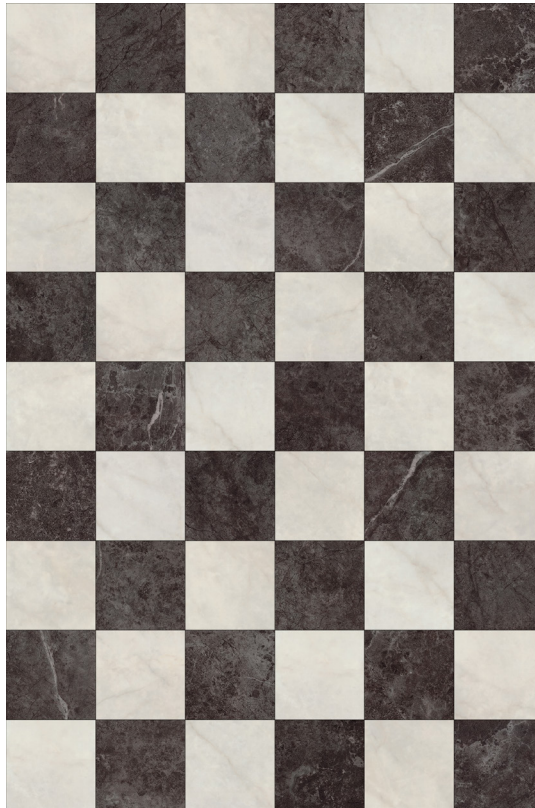
**Tile B**



A	B	A	B	A	B
B	A	B	A	B	A
A	B	A	B	A	B
B	A	B	A	B	A
A	B	A	B	A	B
B	A	B	A	B	A



Tiles should be tessellated to mix up grain direction.  
Supplied as individual cut pieces, not taped. The layout must be formed on site from parts.



## Chequer Glacier - MP046

**1 Module =**

**A** Fontana Marble White AM5S4574

**B** Fontana Marble Black AM5S4573

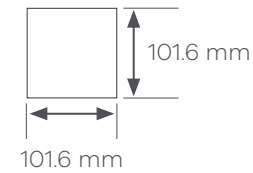
**Tile A**



**Tile B**



A	B	A	B	A	B
B	A	B	A	B	A
A	B	A	B	A	B
B	A	B	A	B	A
A	B	A	B	A	B
B	A	B	A	B	A



Tiles should be tessellated to mix up grain direction.  
Supplied as individual cut pieces, not taped. The layout must be formed on site from parts.



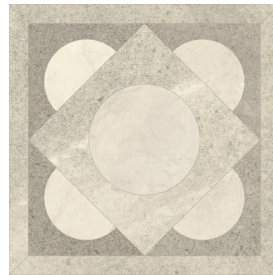
## Corinthian Coast - MP047

**1 Module =**

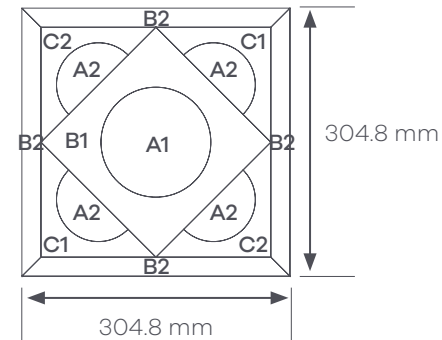
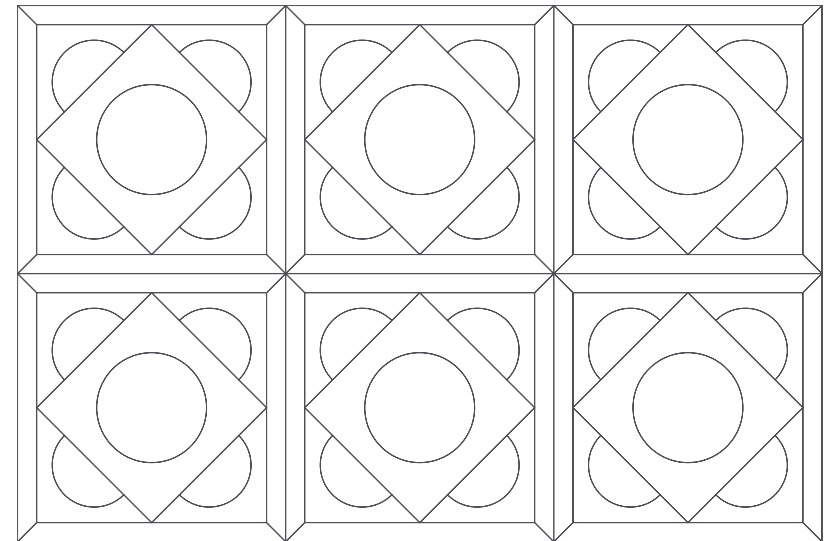
- A** Ammonite AM5S4800
- B** Berkswell Stone AM5SMA32
- C** Whitley Stone AM5SMA36

All 2 mm gauge bevelled.

**Module**



The Corinthian layout is supplied as a 304.8 x 304.8 mm assembled module.



Modules are factory assembled and surface taped.  
Module to be tessellated to maximise variation.



## Echo Wave - MP048

### 1 Module =

**A** Fontana Marble White AM5S4574

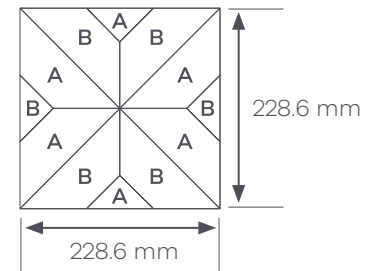
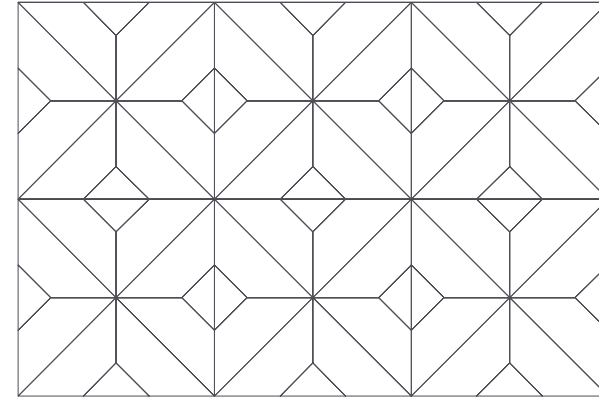
**B** Fontana Marble Black AM5S4573

All 2 mm gauge bevelled.

### Module



The Echo layout is supplied as a  
228.6 x 228.6 mm assembled module.



Modules are factory assembled and surface taped.  
Modules will need to be tessellated to create design.



**Echo Sky - MP029**

**1 Module =**

**A** Stucco Opaline AM5AUC88

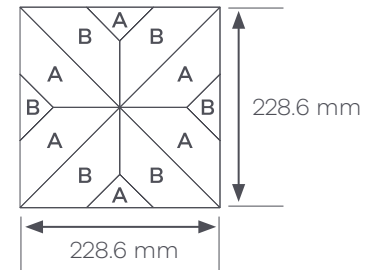
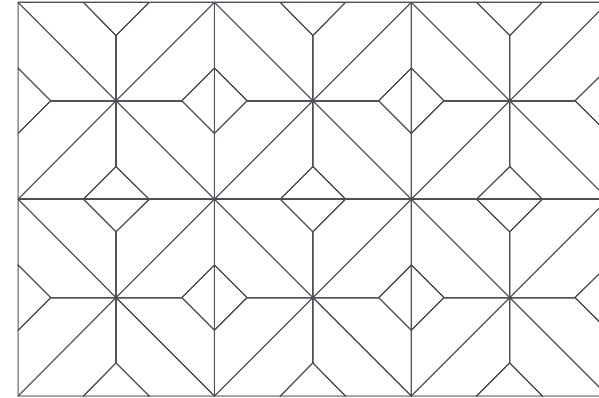
**B** Stucco Flax AM5AUC39

All 2 mm gauge bevelled.

**Module**



The Echo layout is supplied as a  
228.6 x 228.6 mm assembled module.



Modules are factory assembled and surface taped.  
Modules will need to be tessellated to create design.



## Temple Diamond Atlantic - MP030

**1 Module =**

**A** Fontana Marble White AM5S4574

**B** Fontana Marble Green AM5S4576

**C** Fontana Marble Black AM5S4573

All 2 mm gauge bevelled.

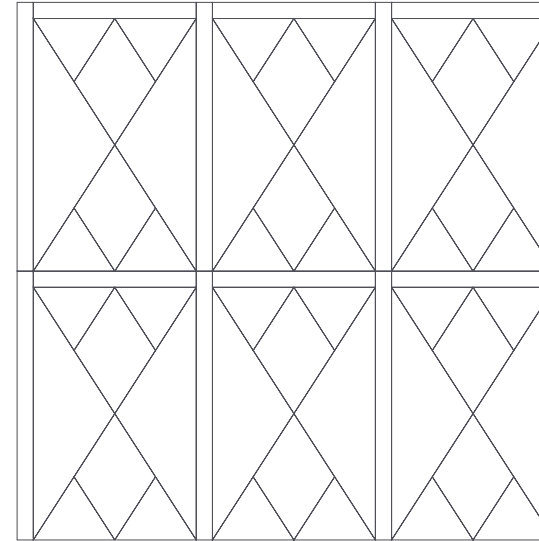
**Module 1**



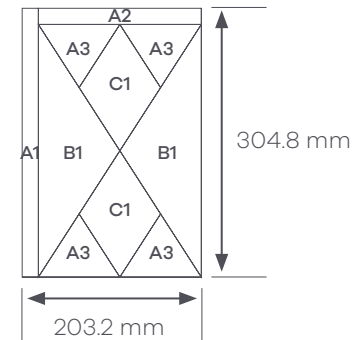
**Module 2**



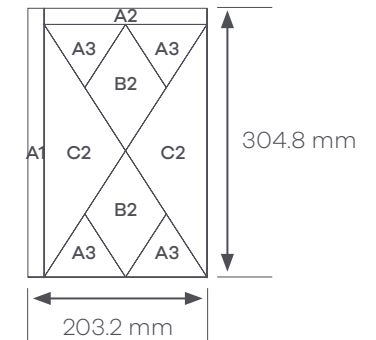
The Temple Diamond layout is supplied as a 304.8 x 203.2 mm assembled module.



**Module 1**



**Module 2**



Modules are factory assembled and surface taped.  
Alternate modules 1 & 2 horizontally and vertically to create pattern repeat.



## Temple Diamond Pacific - MP031

**1 Module =**

- A** Ammonite AM5S4800
- B** Chatham Concrete AM5SRE33
- C** Diffusion Chambray AM5ADF39

All 2 mm gauge bevelled.

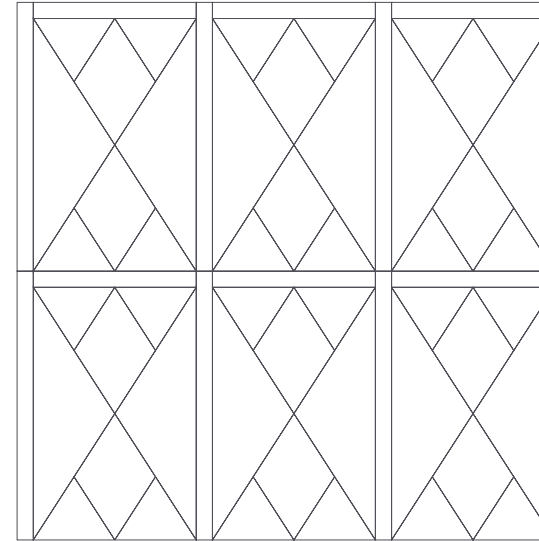
**Module 1**



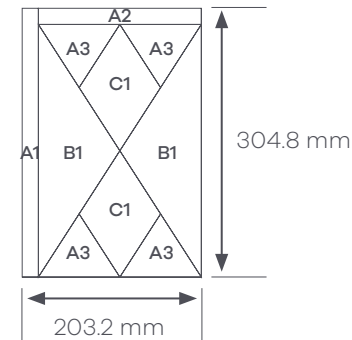
**Module 2**



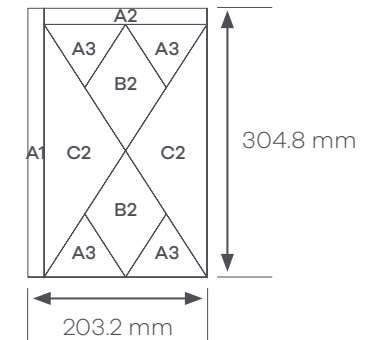
The Temple Diamond layout is supplied as a 304.8 x 203.2 mm assembled module.



**Module 1**



**Module 2**



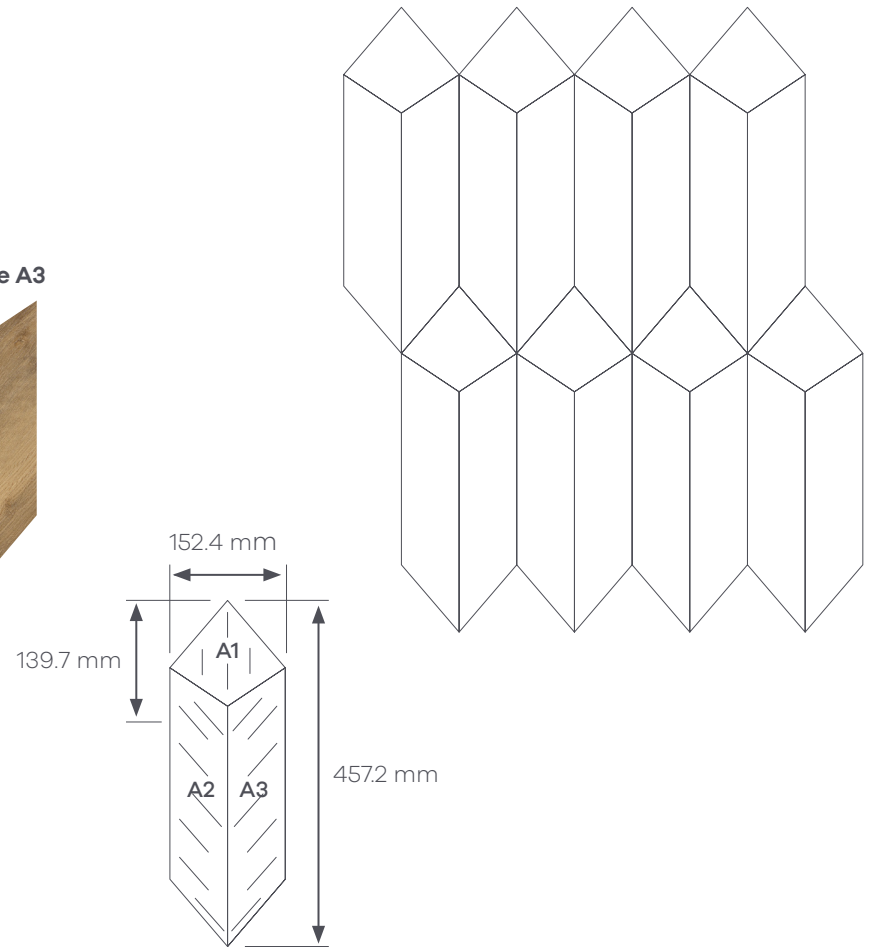
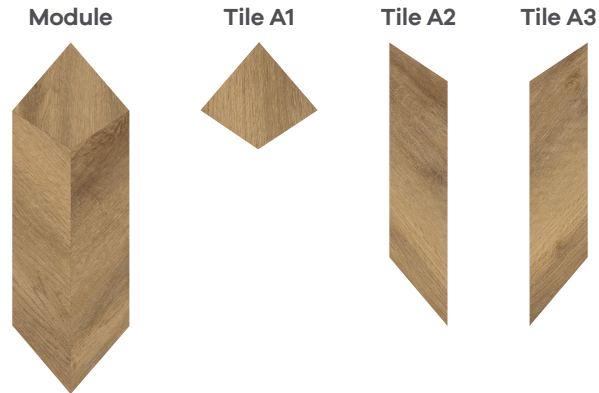
Modules are factory assembled and surface taped.  
Alternate modules 1 & 2 horizontally and vertically to create pattern repeat.



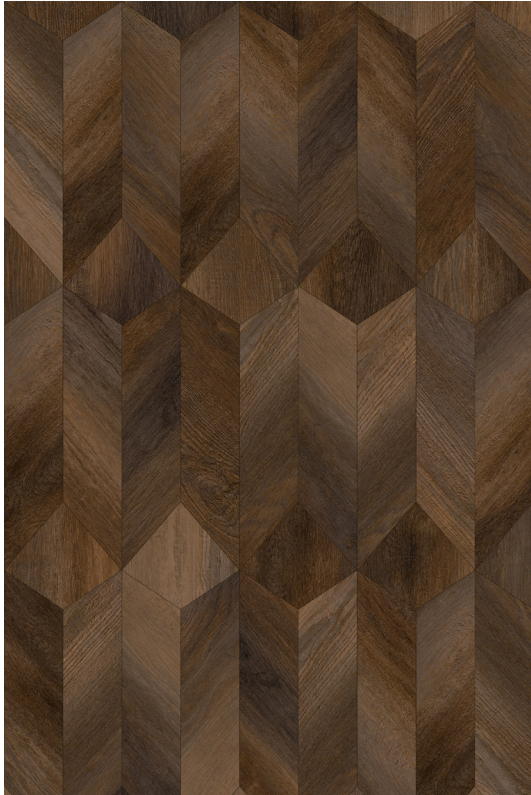
## Venetian Parquet Murano - MP034

**1 Module =**  
**A** Falun Oak AM5W6060

All 2 mm gauge bevelled.



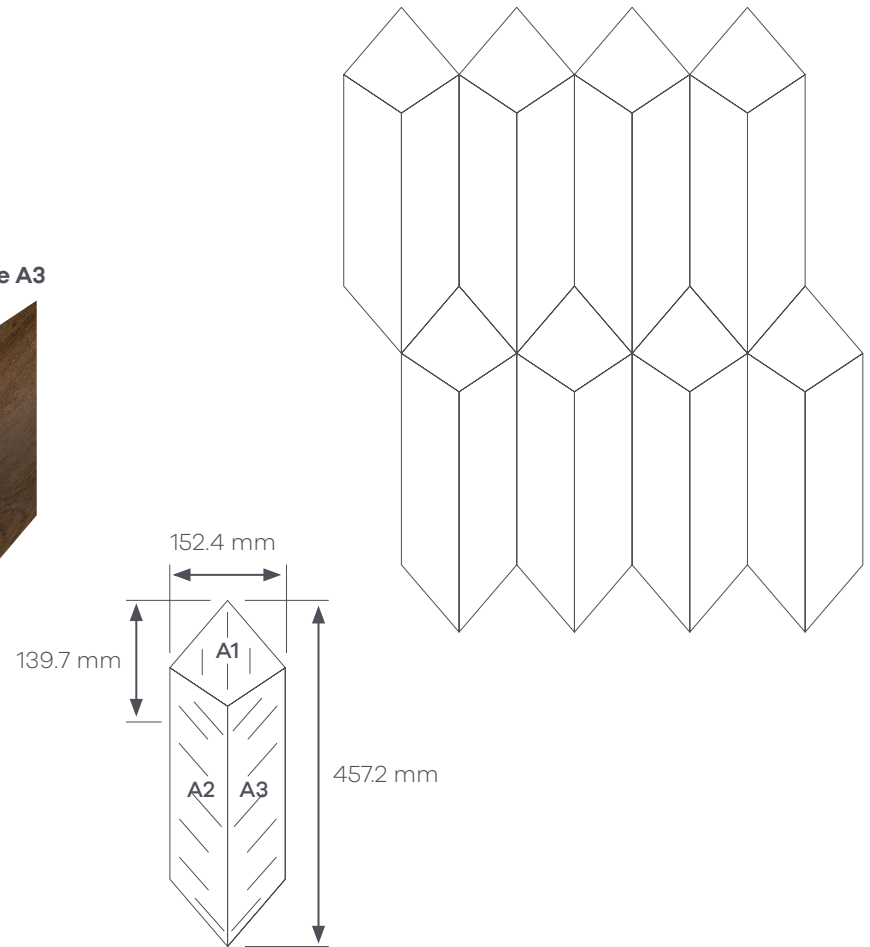
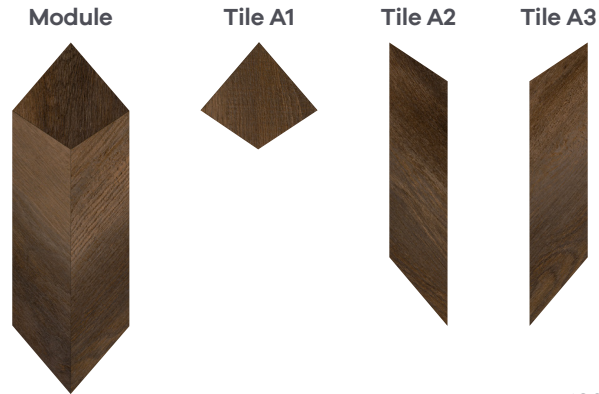
Supplied as individual cut pieces, not taped.



## Venetian Parquet Torcello - MP035

**1 Module =**  
**A** Tay Oak AM5W8900

All 2 mm gauge bevelled.



Supplied as individual cut pieces, not taped.

# Venetian Parquet Stone

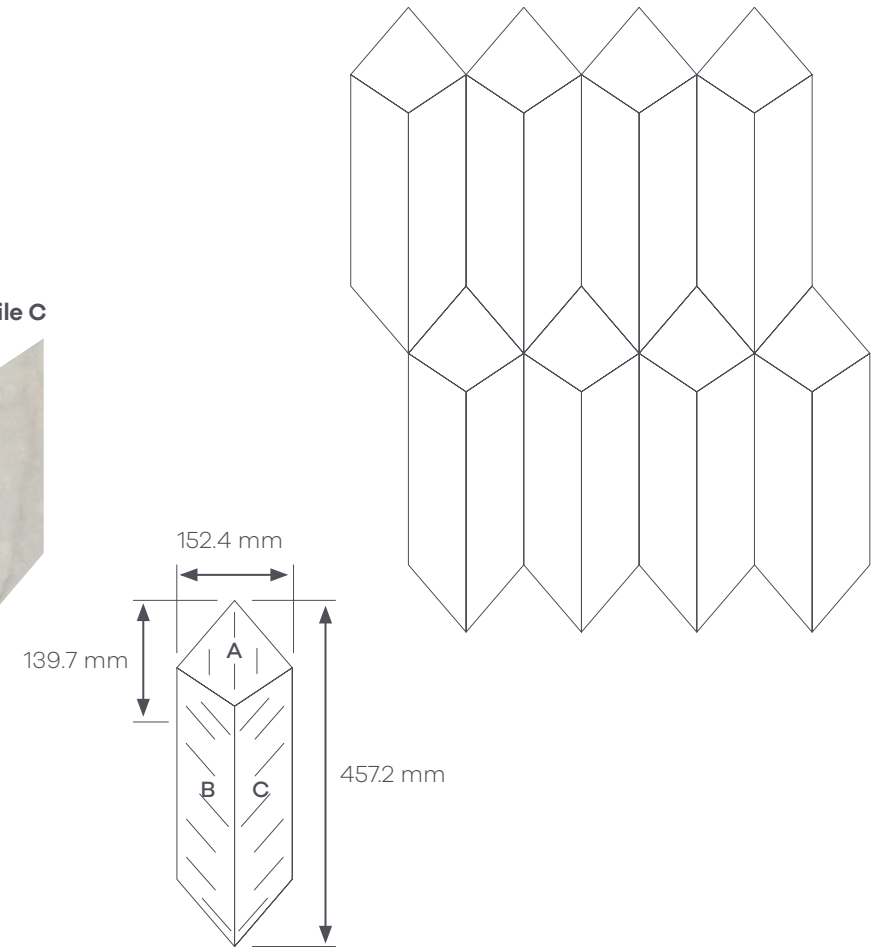
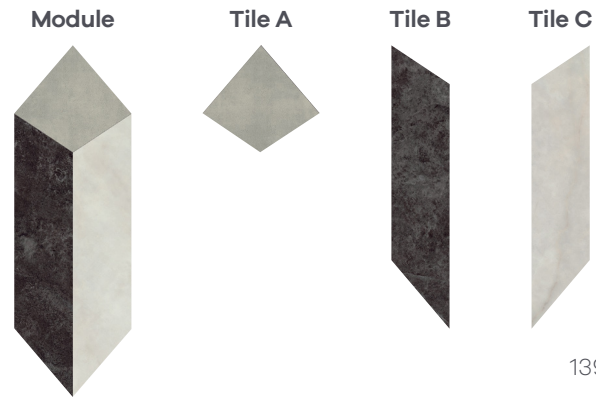


## Venetian Parquet Fusina - MP032

1 Module =

- A Chatham Concrete AM5SRE33
- B Fontana Marble Black AM5S4573
- C Fontana Marble White AM5S4574

All 2 mm gauge bevelled.



Supplied as individual cut pieces, not taped.

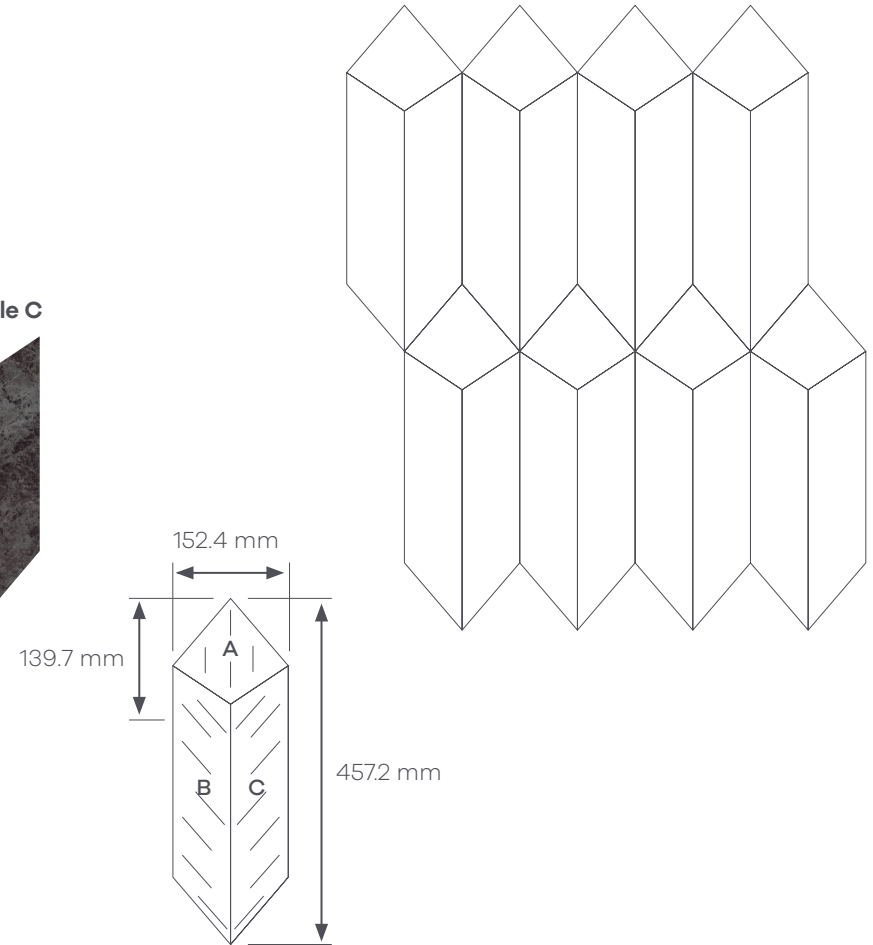
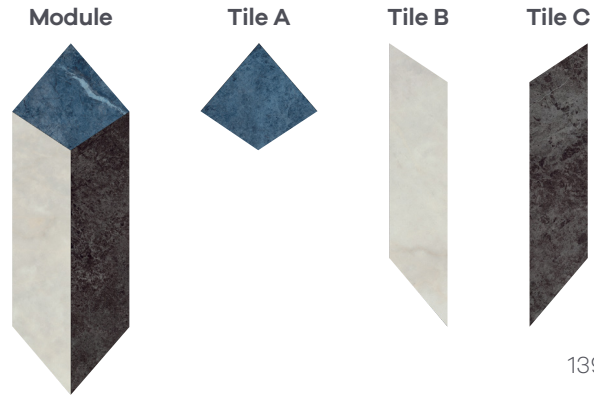


## Venetian Parquet Trieste - MP033

1 Module =

- A Fontana Marble Blue AM5S4575
- B Fontana Marble White AM5S4574
- C Fontana Marble Black AM5S4573

All 2 mm gauge bevelled.



Supplied as individual cut pieces, not taped.



## Victorian Star Small Vega - MP036

**1 Module =**

**A** Fontana Marble Black AM5S4573

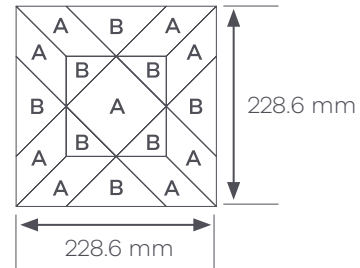
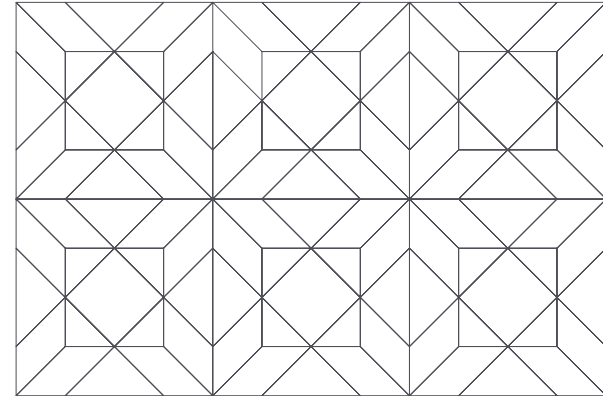
**B** Fontana Marble White AM5S4574

All 2 mm gauge bevelled.

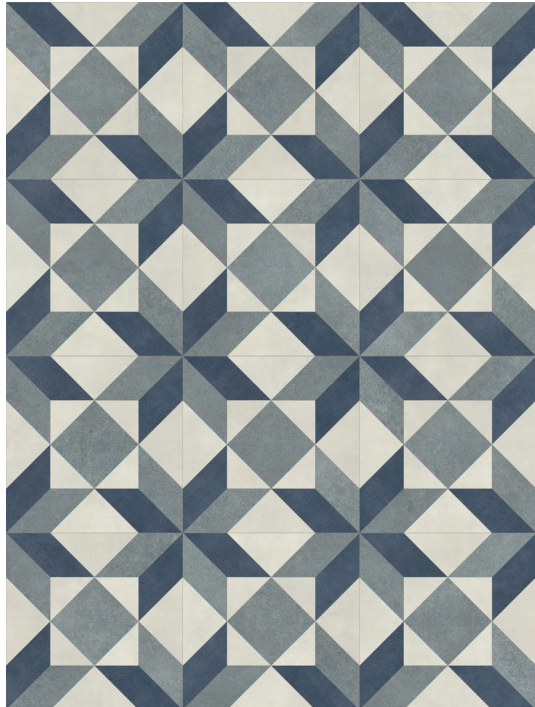
**Module**



The Victorian Star Small layout supplied as a 228.6 x 228.6 mm assembled module.



# Victorian Star Small



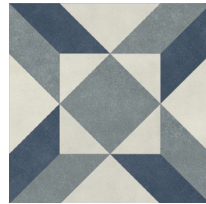
## Victorian Star Small Capella - MP037

**1 Module =**

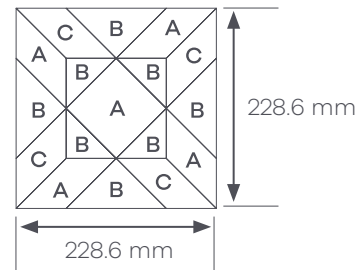
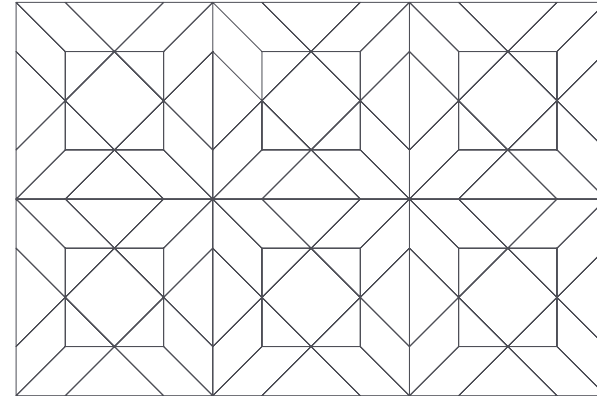
- A** Diffusion Chambray AM5ADF39
- B** Stucco Opaline AM5AUC88
- C** Stucco Flax AM5AUC39

All 2 mm gauge bevelled.

**Module**



The Victorian Star Small layout supplied as a 228.6 x 228.6 mm assembled module.





## Victorian Star Small Sirius - MP038

**1 Module =**

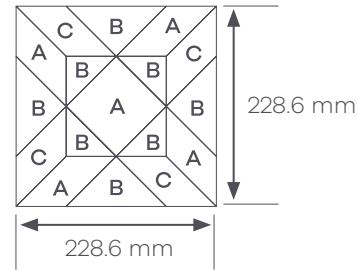
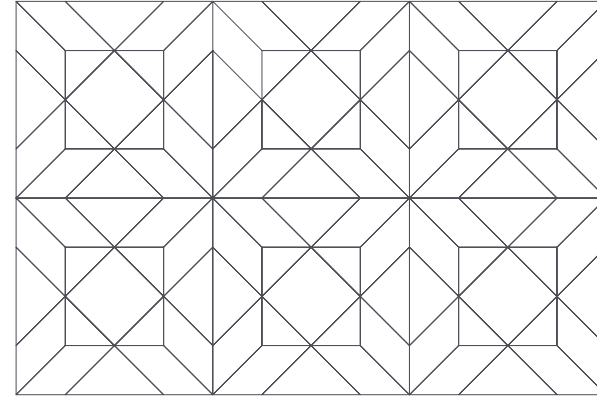
- A** Fontana Marble Black AM5S4573
- B** Fontana Marble White AM5S4574
- C** Chatham Concrete AM5SRE33

All 2 mm gauge bevelled.

**Module**



The Victorian Star Small layout supplied as a 228.6 x 228.6 mm assembled module.



# Victorian Star Large

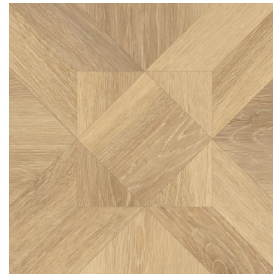


## Victorian Star Large Navigator - MP039

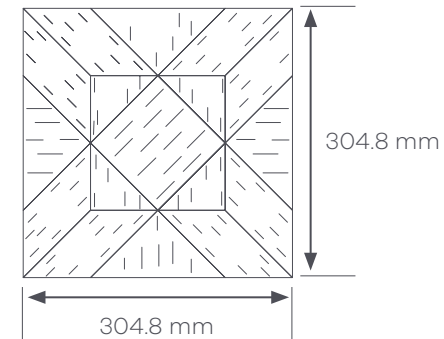
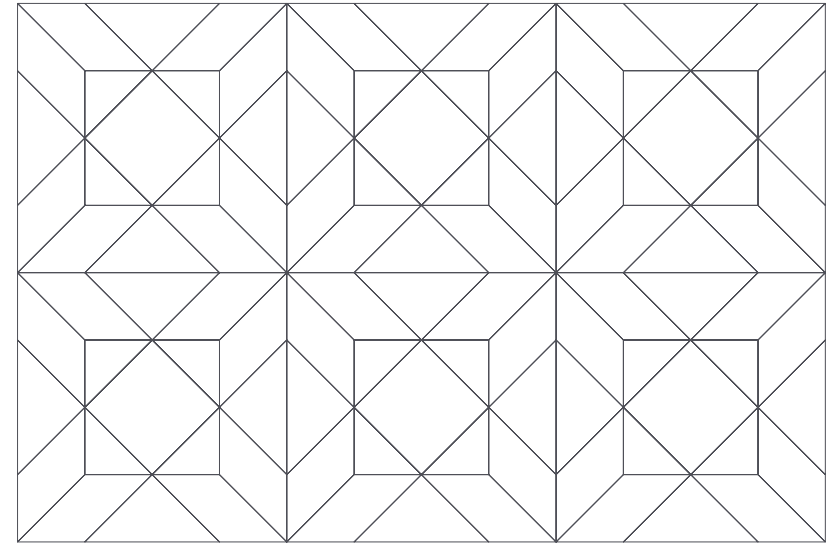
**1 Module =**  
**A** Matlo Oak AM5W6130

All 2 mm gauge bevelled.

### Module



The Victorian Star Large layout is supplied as a 304.8 x 304.8 mm assembled module.



**For maximum design impact, tessellate every other module.  
Modules are factory assembled and surface taped.**



**Victorian Star Large Horizon - MP040**

**1 Module =**  
**A** Foreshore Oak AM5W6120

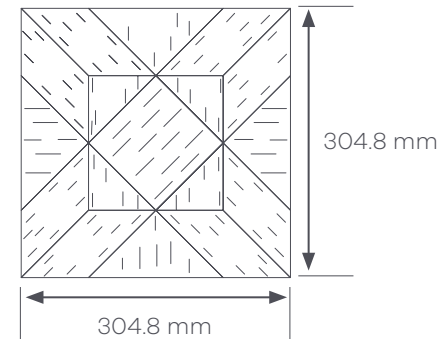
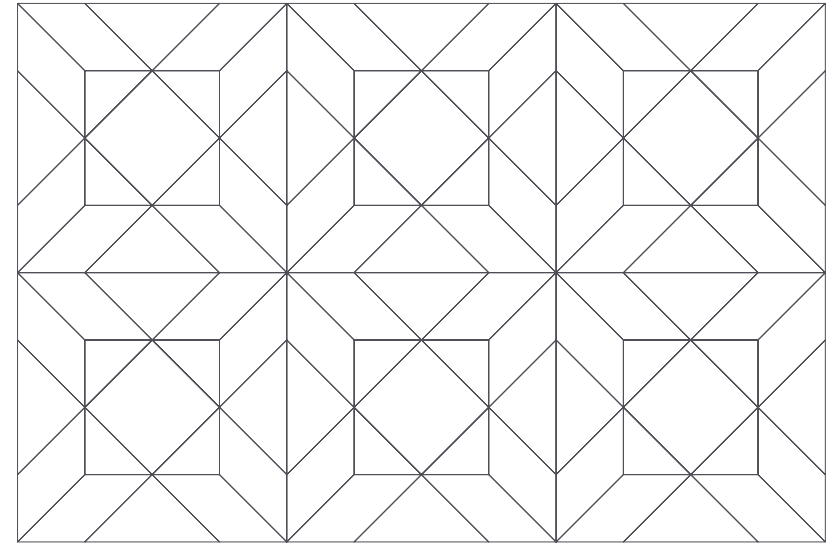
All 2 mm gauge bevelled.

**Module**



The Victorian Star Large layout is supplied as a 304.8 x 304.8 mm assembled module.

# Victorian Star Large



**For maximum design impact, tessellate every other module.  
Modules are factory assembled and surface taped.**